



105 Bonnie Drive  
Butler, PA 16002  
724-283-4681  
724-283-5939 (fax)  
www.bwieagle.com

# PRODUCT INFORMATION BULLETIN

## AIR-EAGLE® XLT PLUS Analog & Digital 900 MHz RF Receiver MODEL 465AN/D-5000-DC

### DESCRIPTION

The AIR-EAGLE XLT PLUS, MODEL 465AN/D-5000-DC is an RF receiver capable of receiving one analog or voltage input signal and one dry-contact input signal from an analog / digital output transmitter. The transmitter and receiver combine to create a long range radio frequency system that monitors and operates hazardous or hard-to-reach electrical apparatus from safe, convenient locations of up to a mile away. (Or longer with optional antennas) This unit is user-programmable for up to seven network frequencies to allow multiple systems to operate simultaneously in the same area without interference.

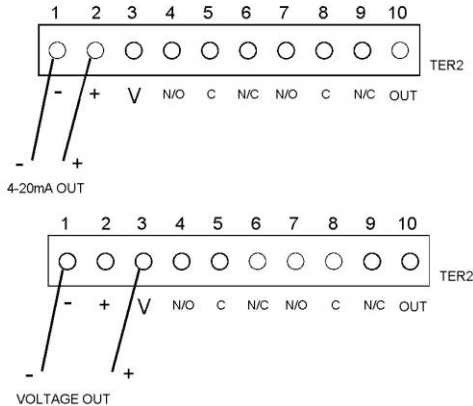
### INSTALLATION

1. Mount the AIR-EAGLE XLT PLUS RECEIVER in a convenient location
2. Install wiring to terminal strip.
3. Connect DC power and control to the proper terminals in your control circuit.

### TERMINAL STRIP WIRING

TER1 (LEFT BLOCK)		TER2 (RIGHT BLOCK)	
1	(-) 9-36VDC Input	1	Analog Output (-)
2	(+) 9-36VDC Input	2	Analog Output (+)
		3	(+) Voltage Output
		4	N/O Relay
		5	C Relay
		6	N/C Relay
		7	N/O Relay – 2 <sup>nd</sup> Pole
		8	C Relay – 2 <sup>nd</sup> Pole
		9	N/C Relay – 2 <sup>nd</sup> Pole
		10	Open Drain Output (not used)

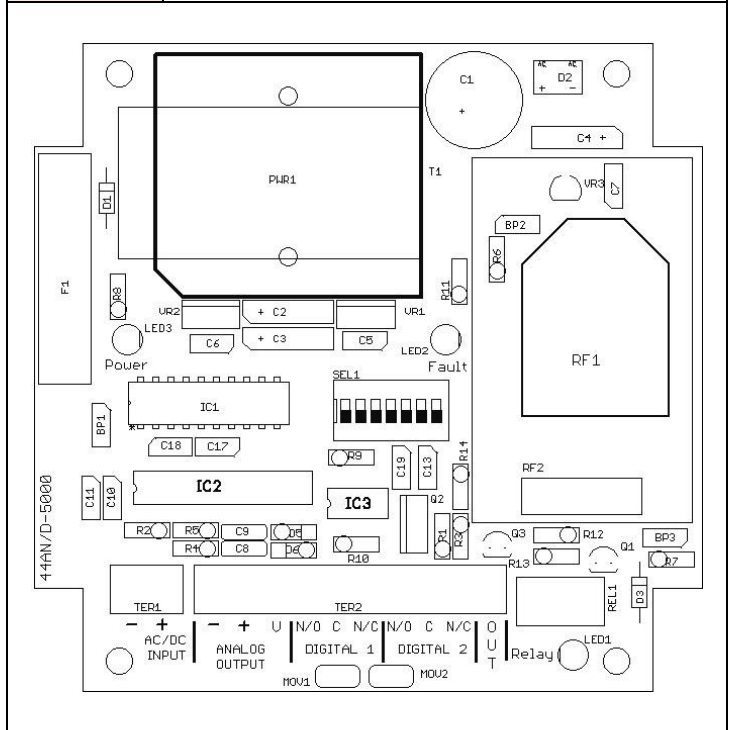
**Note #1** – Output type **MUST** be selected for the terminal strip wiring to take effect! (See OUTPUT OPTIONS & FREQUENCY SET-UP)



(SIMILAR MODEL PICTURED)  
Dimensions (with mounting plate) 6.3" L x 4.8" W x 2.3" H

### CONTROLS & INDICATORS

<b>POWER LED</b>	Illuminates GREEN when powered on
<b>OUTPUT FAULT LED</b>	Used in 4-20mA mode only – Illuminates RED when current loop open



# AIR-EAGLE® XLT PLUS

## Analog & Digital 900 MHz RF Receiver

### MODEL 465AN/D-5000-DC

### OUTPUT OPTIONS & FREQUENCY SET-UP

This receiver is factory set with an analog output of 0-24mA selected and to operate on frequency #1. If you wish to change the default settings, follow the instructions using the table below:

- 1) Remove power from unit
- 2) Remove top cover.
- 3) Select desired output option and/or frequency using table below.
- 4) Reattach cover and apply power.
- 5) Programming is now complete.

OUTPUT CONFIGURATION				
SEL1 SW1 & 2	OUTPUT TYPE	SW1	SW2	
	0-24mA Output (default)	OPEN	OPEN	
	0-20mA Output	CLOSED	OPEN	
	4-20mA Output	OPEN	CLOSED	
	Voltage Output	CLOSED	CLOSED	
SEL1 SW3 & 4	VOLTAGE TYPE / LINK LOSS			
	OPEN	CLOSED		
SW3	0-10V Output (default)	0-5VDC Output		
SW4	Link Loss 4mA (default)	Link Loss 20mA		
FREQUENCY SET-UP				
SEL1 (SW5-7)	Network Frequency	SW5	SW6	SW7
	1 (default)	OPEN	OPEN	OPEN
	2	CLOSED	OPEN	OPEN
	3	OPEN	CLOSED	OPEN
	4	CLOSED	CLOSED	OPEN
	5	OPEN	OPEN	CLOSED
	6	CLOSED	OPEN	CLOSED
7	OPEN	CLOSED	CLOSED	

### SPECIFICATIONS

Outputs	One 4-20mA or voltage output (0-5 or 0-10 VDC) One DPDT 2amps @120VAC or 30VDC relay output
Fuse Protected	2 amp slow-blow
Safety Timer	15 seconds
DC Input	9-36 VDC
Enclosure	Polycarbonate NEMA 4X
Frequency	900MHz Spread Spectrum
Channels	7 Independent Network Frequencies
Receiving Range	Up to 25 miles line of sight with optional antennas (see accessories)
Operating Temperature	-40° F to +185° F

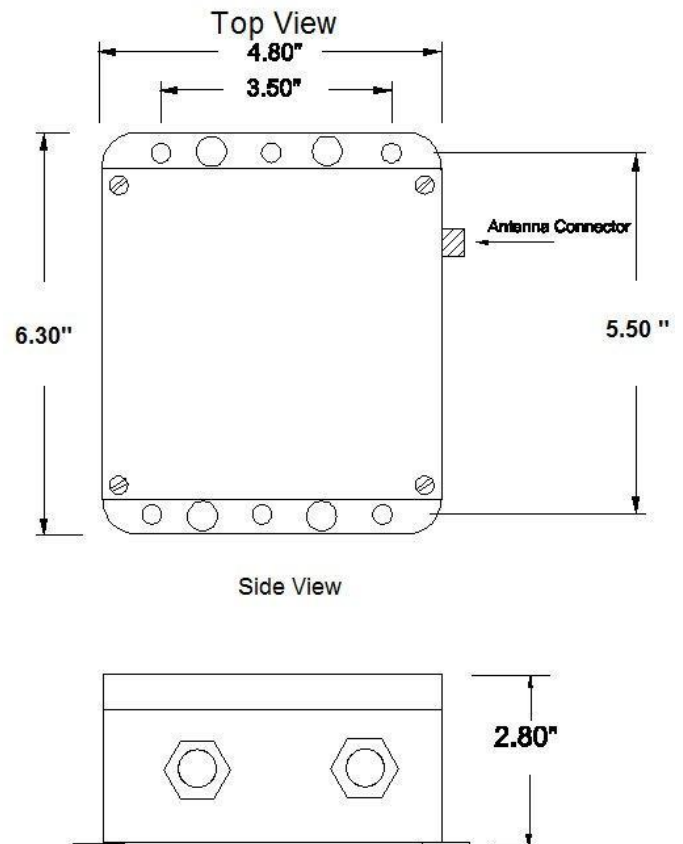
### APPROVALS

United States (FCC)	OUR-9XTEND
Canada (IC)	4214A-9XTEND

### REPLACEMENT PARTS & ACCESSORIES

PC Board (Main)	465AN/D-5002-DC
Standard Antenna (Included):	
900MHz Portable Antenna (For distances up to 1 mile*)	49-1103
Optional Antennas and Accessories:	
900MHz Omni Directional Antenna (For distances up to 5 miles*)	49-3101
900MHz 13dB Yagi Antenna Long Range Operation (For distances up to 10 miles*)	49-3102
Flex Coax Cable w/Connectors	49-4000-XX (XX = # of Feet)
* = Line of Sight	

### DIMENSIONS



**AIR-EAGLE® XLT PLUS**  
**Analog & Digital 900 MHz RF Receiver**  
**MODEL 465AN/D-5000-DC**

**LIMITED WARRANTY STATEMENT**

BWI Eagle Inc. warrants the Air-Eagle Remote Control System, if properly used and installed, will be free from defects in material and workmanship for a period of 1 year after date of purchase. Said warranty to include the repair or replacement of defective equipment. This warranty does not cover damage due to external causes, including accident, problems with electrical power, usage not in accordance with product instructions, misuse, neglect, alteration, repair, improper installation, or improper testing. This limited warranty, and any implied warranties that may exist under state law, apply only to the original purchaser of the equipment, and last only for as long as such purchaser continues to own the equipment. This warranty replaces all other warranties, express or implied including, but not limited to, the implied warranties of merchantability and fitness for a particular purpose. BWI Eagle makes no express warranties beyond those stated here. BWI disclaims without limitation, implied warranties of merchantability and fitness for a particular purpose. Some jurisdictions do not allow the exclusion of implied warranties so this limitation may not apply to you. To obtain warranty service, contact BWI Eagle for a return material authorization. When returning equipment to BWI Eagle, the customer assumes the risk of damage or loss during shipping and is responsible for the shipping costs incurred.

---

DOCUMENT DATE: 03/02/2019 / PRODUCT REV. 2

---



105 Bonnie Drive  
Butler, PA 16002  
(724) 283-4681  
Fax (724) 283-5939  
[www.bwieagle.com](http://www.bwieagle.com)