



105 Bonnie Drive
Butler, PA 16002
724-283-4681
724-283-5939 (fax)
www.bwieagle.com

PRODUCT INFORMATION BULLETIN

AIR-EAGLE® XLT PLUS Analog & Digital 900 MHz RF Transmitter MODEL 465AN/D-1000-120VAC

DESCRIPTION

The AIR-EAGLE XLT PLUS, MODEL 465AN/D-1000-120VAC is an RF transmitter capable of transmitting one analog or voltage input and one dry-contact input signal to an analog / dry-contact relay output receiver. The transmitter and receiver combine to create a long range radio frequency system that monitors and operates hazardous or hard-to-reach electrical apparatus from safe, convenient locations of up to a mile away. (Or longer with optional antennas) This unit is user-programmable for up to seven network frequencies to allow multiple systems to operate simultaneously in the same area without interference.

INSTALLATION

1. Mount the AIR-EAGLE XLT PLUS TX in a convenient location
2. Install wiring to contact input terminal strip and select input type by setting dip switches 1 and 2 on SEL1 (see INPUT OPTIONS)
3. Attach supplied rubber duck antenna to TNC connector on right side of unit.
4. Plug supplied AC-DC wall plug adapter into AC outlet.

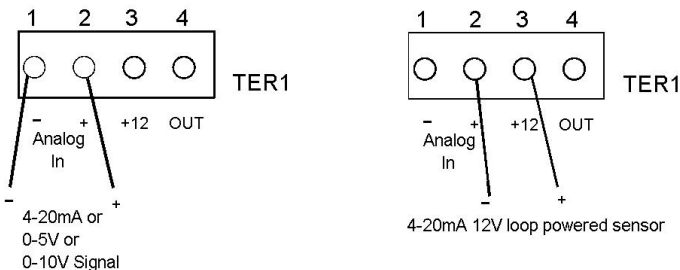
TERMINAL STRIP WIRING

TER2 (LEFT BLOCK)					TER1 (RIGHT BLOCK)			
1	2	3	4		1	2	3	4
Dry-Contact – Common	Dry-Contact – N/O	(-) 9-36VDC*	(+) 9-36VDC*	*From supplied AC-DC Wall Adapter	Analog In (-)	Analog In (+)	(+) 12VDC	Open Drain Output (not used)

Note #1 – Input type **MUST** be selected for the terminal strip wiring to take effect! (See INPUT OPTIONS & FREQUENCY SET-UP)

Note #2 – When using in 4-20mA mode or voltage mode connect input to TER1, Pins 1 and 2 – be sure to observe polarity

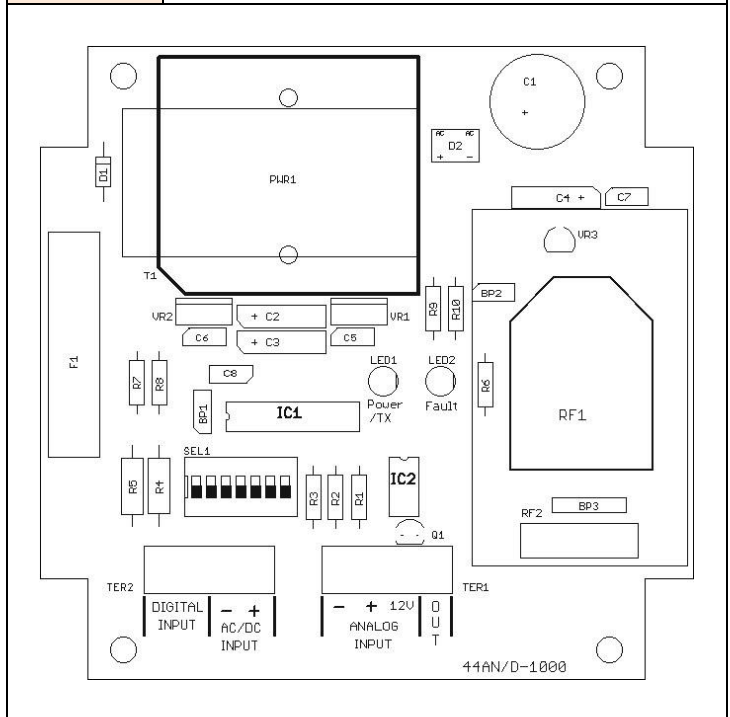
Note #3 – You can use a 12V loop powered 4-20mA sensor by connecting the (-) side to TER1, Pin 2 and (+) side to TER1, Pin 3. (use 12V powered sensor only – see wiring picture)



(Dimensions (with mounting plate) 6.3" L x 4.8" W x 2.3" H

CONTROLS & INDICATORS

POWER/TX LED	Illuminates GREEN when powered on – Changes to RED when transmitting digital data
INPUT FAULT LED	Used in 4-20mA mode only – Illuminates RED when current loop open



AIR-EAGLE® XLT PLUS

Analog & Digital 900 MHz RF Transmitter

MODEL 465AN/D-1000-120VAC

INPUT OPTIONS & FREQUENCY SET-UP

This transmitter is factory set with no input type selected and to operate on frequency #1. If you wish to change the default settings, follow the instructions using the table below:

- 1) Remove power from unit
- 2) Remove top cover.
- 3) Select desired input option and/or frequency using table below.
- 4) Reattach cover and apply power.
- 5) Programming is now complete.

INPUT CONFIGURATION				
INPUT TYPE		SW1	SW2	
SEL1 SW1 & 2	No Input Selected (default)	OPEN	OPEN	
	4-20mA Input	CLOSED	OPEN	
	0-5VDC Input	CLOSED	CLOSED	
	0-10VDC Input	OPEN	CLOSED	
SW3 & 4		Reserved for future use		
FREQUENCY SET-UP				
Network Frequency		SW5	SW6	SW7
SEL1 (SW5-7)	1 (default)	OPEN	OPEN	OPEN
	2	CLOSED	OPEN	OPEN
	3	OPEN	CLOSED	OPEN
	4	CLOSED	CLOSED	OPEN
	5	OPEN	OPEN	CLOSED
	6	CLOSED	OPEN	CLOSED
	7	OPEN	CLOSED	CLOSED

APPROVALS

United States (FCC)	MCQ-XBPSX
Canada (IC)	1846A-XBPSX

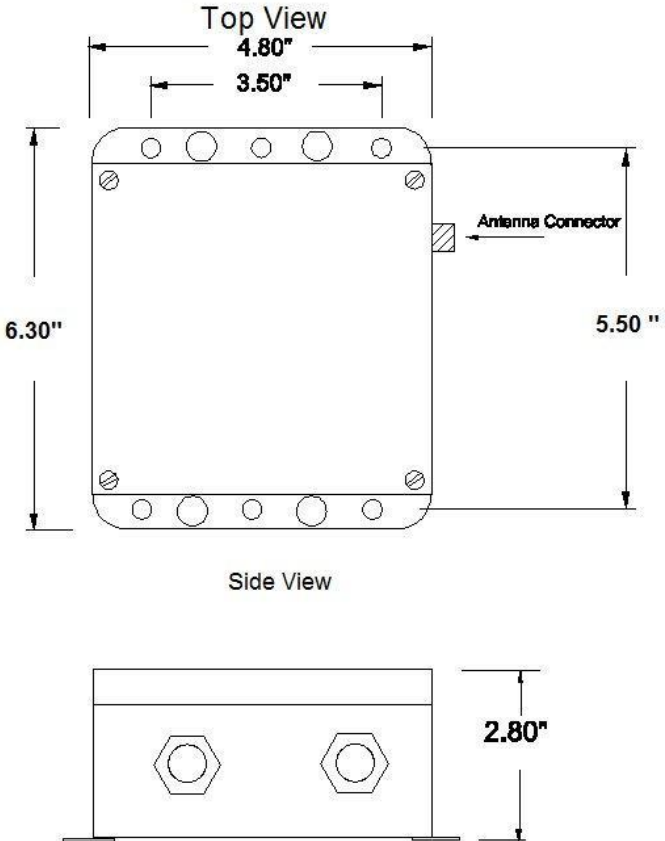
SPECIFICATIONS

Inputs	One 4-20mA or voltage input (0-5 or 0-10VDC) One dry-contact input
Fuse Protected	2 amp slow-blow
Update Time	4 samples / second
Power Input	100-240 VAC, 16 W, 50/60 Hz from supplied wall adapter
Enclosure	Polycarbonate NEMA 4
Transmit Frequency	900MHz Spread Spectrum
Transmitter Channels	7 Independent Network Frequencies
RF Output Power	1 W
Transmit Range	Up to 25 miles with external antenna – (see accessories)
Operating Temperature	-40° F to +185° F

REPLACEMENT PARTS & ACCESSORIES

PC Board (Main)	465AN/D-1002-120VAC
Standard Antenna (Included):	
900MHz Portable Antenna (For distances up to 1 mile*)	49-1103
Optional Antennas and Accessories:	
900MHz Omni Directional Antenna (For distances up to 5 miles*)	49-3101
900MHz 13dB Yagi Antenna Long Range Operation (For distances up to 10 miles*)	49-3102
Flex Coax Cable w/Connectors	49-4000-XX (XX = # of Feet)
* = Line of Sight	

DIMENSIONS



AIR-EAGLE® XLT

Analog & Digital 900 MHz RF Transmitter

MODEL 465AN/D-1000-120VAC

LIMITED WARRANTY STATEMENT

BWI Eagle Inc. warrants the Air-Eagle Remote Control System, if properly used and installed, will be free from defects in material and workmanship for a period of 1 year after date of purchase. Said warranty to include the repair or replacement of defective equipment. This warranty does not cover damage due to external causes, including accident, problems with electrical power, usage not in accordance with product instructions, misuse, neglect, alteration, repair, improper installation, or improper testing. This limited warranty, and any implied warranties that may exist under state law, apply only to the original purchaser of the equipment, and last only for as long as such purchaser continues to own the equipment. This warranty replaces all other warranties, express or implied including, but not limited to, the implied warranties of merchantability and fitness for a particular purpose. BWI Eagle makes no express warranties beyond those stated here. BWI disclaims without limitation, implied warranties of merchantability and fitness for a particular purpose. Some jurisdictions do not allow the exclusion of implied warranties so this limitation may not apply to you. To obtain warranty service, contact BWI Eagle for a return material authorization. When returning equipment to BWI Eagle, the customer assumes the risk of damage or loss during shipping and is responsible for the shipping costs incurred.

DOCUMENT DATE: 9/7/17 / PRODUCT REV.1



105 Bonnie Drive
Butler, PA 16002
(724) 283-4681
Fax (724) 283-5939
www.bwieagle.com