



105 Bonnie Drive
Butler, PA 16002
724-283-4681
724-283-5939 (fax)
www.bwieagle.com

PRODUCT INFORMATION BULLETIN

AIR-EAGLE® XLT PLUS 900MHz RF Transceiver MODEL 461-40800-120VAC

DESCRIPTION

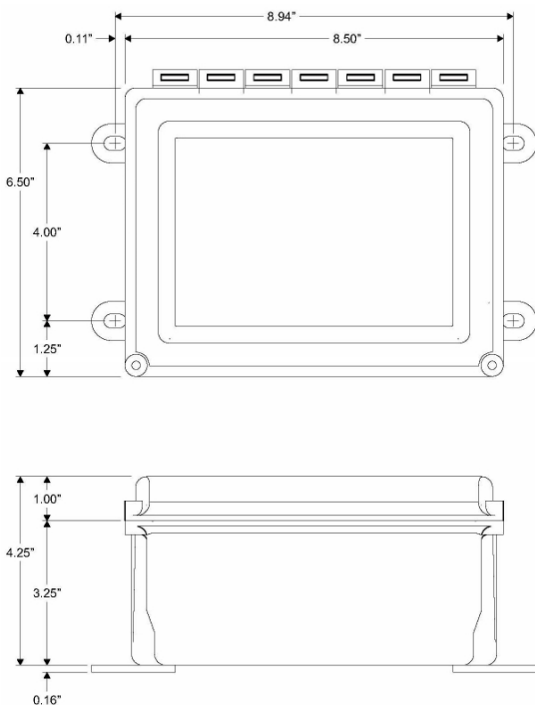
The AIR-EAGLE XLT PLUS RF TRANSCEIVER provides two-way wireless control of electronic equipment and apparatus at distances up to 1 mile (*). This model comes equipped with eight dry contact inputs and eight relay outputs. This allows the user to not only transmit information out, but receive a confirming signal back that the operation was performed. A terminal strip has been provided for interfacing with external dry contact inputs as well as dry contact relay outputs. The Air-Eagle XLT TRX is user-programmable for up seven network frequencies to allow multiple systems to operate simultaneously in the same area.
(*) - Longer distances can be achieved by using external antennas)

INSTALLATION

DISCONNECT Power from all equipment before installation.

1. Mount the AIR-EAGLE XLT PLUS RECEIVER in a convenient location.
2. Install input and output wiring to terminal strip (Note – terminal strip headers lift up off base for easy wiring)
3. Install antenna to connector located on the right side on the enclosure.
4. Plug supplied AC adapter into wall outlet.

DIMENSIONS



TERMINAL STRIP WIRING

RELAY OUTPUTS					
1	N/O Relay #1	10	N/O Relay #4	19	N/O Relay #7
2	C Relay #1	11	C Relay #4	20	C Relay #7
3	N/C Relay #1	12	N/C Relay #4	21	N/C Relay #7
4	N/O Relay #2	13	N/O Relay #5	22	N/O Relay #8
5	C Relay #2	14	C Relay #5	23	C Relay #8
6	N/C Relay #2	15	N/C Relay #5	24	N/C Relay #8
7	N/O Relay #3	16	N/O Relay #6		
8	C Relay #3	17	C Relay #6		
9	N/C Relay #3	18	N/C Relay #6		
CONTACT INPUTS					
1	Common Input 1	10	Input 5		
2	Input 1	11	Common Input 6		
3	Common Input 2	12	Input 6		
4	Input 2	13	Common Input 7		
5	Common Input 3	14	Input 7		
6	Input 3	15	Common Input 8		
7	Common Input 4	16	Input 8		
8	Input 4	17	Not Used		
9	Common Input 5	18	Not Used		
DC INPUT					
Terminal #1	Negative (-) 12VDC INPUT from 120VAC Adapter				
Terminal #2	Positive (+) 12VDC INPUT from 120VAC Adapter				

AIR-EAGLE® XLT PLUS

900MHz RF Transceiver

MODEL 461-40800-120VAC

APPROVALS

United States (FCC)	OUR-9XTEND
Canada (IC)	4214A-9XTEND

GENERAL OPERATION

Contact closures on inputs 1 thru 8 in the control transceiver transmit to activate relays #1 thru #8 in the remote transceiver. Inputs from the remote equipment provide closures to remote transceiver that transmit to energize relays 1 thru 8 in the control transceiver.

INPUT ACTIVATED	ACTION
"1"	Transmits channel 1 command to remote unit
"2"	Transmits channel 2 command to remote unit
"3"	Transmits channel 3 command to remote unit
"4"	Transmits channel 4 command to remote unit
"5"	Transmits channel 5 command to remote unit
"6"	Transmits channel 6 command to remote unit
"7"	Transmits channel 7 command to remote unit
"8"	Transmits channel 8 command to remote unit
INPUT CODE RECEIVED	ACTION
"1"	Relay #1 energizes, maintained momentary
"2"	Relay #2 energizes, maintained momentary
"3"	Relay #3 energizes, maintained momentary
"4"	Relay #4 energizes, maintained momentary
"5"	Relay #5 energizes, maintained momentary
"6"	Relay #6 energizes, maintained momentary
"7"	Relay #7 energizes, maintained momentary
"8"	Relay #8 energizes, maintained momentary

SPECIFICATIONS

Power Supply	100-240 VAC, 16 W, 50/60 Hz from supplied wall adapter
Fuse Protected	1 amp
Frequency	900MHz Spread Spectrum
Relay Contacts	SPDT 5 amp @ up to 120VAC or 30VDC per channel
Transmitter Data	Eight Dry Contact Inputs
RF Output Power	1W
Transceiver Range	Approximately 1 Mile (Up to 10 miles with external antenna - see accessories)
RF Channels	Seven independent network frequencies
Enclosure	Hinged fiberglass with window / NEMA 3, 3R, 4, 12, 13
Operating Temp	-40° F to +185° F

RELAY & FREQUENCY SET-UP

This unit is shipped from the factory with the SEL1 switches in the open positions. All eight relays will operate in a maintained momentary manner, and unit is receiving commands on frequency one. If you wish to change these default settings, follow the instructions on the table below.

- 1) Remove power from unit
- 2) Remove top cover.
- 3) Select desired relay operation and/or network frequency using table below.
- 4) Reattach cover and apply power.
- 5) Programming is now complete.

RELAY CONFIGURATION

SEL1 SWITCH NUMBER	OPEN	CLOSED
SW1	Relays #1 thru #8 maintained momentary (default)	Relays #1 thru #8 toggle/latch

Maintained Momentary – Relay mimics button or input – when depressed or closed, relay will be energized; when released, relay de-energizes

Toggle Latch – Relay changes (and holds) its state each time the corresponding button or input is depressed or closed momentarily

SW2-4 Not used on this model

FREQUENCY SET-UP

SEL1	Network Frequency	SW5	SW6	SW7
(SW5-7)	1 (default)	OPEN	OPEN	OPEN
	2	CLOSED	OPEN	OPEN
	3	OPEN	CLOSED	OPEN
	4	CLOSED	CLOSED	OPEN
	5	OPEN	OPEN	CLOSED
	6	CLOSED	OPEN	CLOSED
	7	OPEN	CLOSED	CLOSED

REPLACEMENT PARTS & ACCESSORIES

PC Board (Main)	461-40802-DC
Standard Antenna (Included):	
900MHz Portable Antenna (For distances up to 1 Mile*)	49-1103
Optional Antennas and Accessories:	
900MHz Omni Directional Antenna (For distances up to 5 miles*)	49-3101
900MHz 13dB Yagi Antenna Long Range Operation (For distances up to 10 miles*)	49-3102
Flex Coax Cable w/Connectors	49-4000-XX (XX = # of Feet)
* = Line of Sight	

DOCUMENT DATE: 2/20/19 / PRODUCT REV.2



105 Bonnie Drive
Butler, PA 16002
(724) 283-4681
Fax (724) 283-5939
www.bwieagle.com