



105 Bonnie Drive
Butler, PA 16002
724-283-4681
724-283-5939 (fax)
www.bwieagle.com

PRODUCT INFORMATION BULLETIN

AIR-EAGLE® XLT 900 MHz RF Receiver MODEL 441-8000-N/C

DESCRIPTION

The AIR-EAGLE XLT is an RF system designed for medium to long range wireless remote control of electrical apparatus in a variety of industrial applications. Systems can consist of any number of receivers and handheld or contact input transmitters working together. This receiver is equipped with 4 independent relays that are capable of switching 5 amps @ 120VAC or 30VDC. The relays are user programmable for momentary or toggle/latching operation and can be directly interfaced with the customer's equipment or P.L.C. Seven user selectable frequencies allow multiple systems to be used in the same area. Capable of receiving remote signals transmitted from up to 2500 feet away (with the handheld transmitter) or up to 4 miles away (with the contact input transmitter), the Air-Eagle XLT utilizes spread-spectrum technology and provides the utmost security and reliability even in the noisiest RF environments.

APPROVALS

United States (FCC)	MCQ-XB900HP
Canada (IC)	1846A-XB900HP

INSTALLATION

DISCONNECT AC Power from all equipment before installation.

1. Mount the AIR-EAGLE XLT RECEIVER in a convenient location.
2. Install relay wiring to terminal strip.
3. Install antenna. The unit has an antenna connector located on the right side of the enclosure. Attach the supplied portable antenna to this connector.
4. Connect AC power and control to the proper terminals in your control circuit.

TERMINAL STRIP WIRING

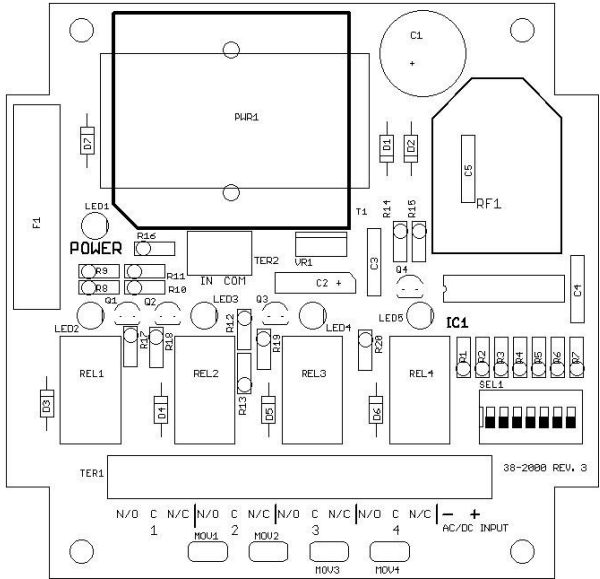
1	N/O Relay #1	7	N/O Relay #3	13	120 VAC - (Neutral)
2	C Relay #1	8	C Relay #3	14	120 VAC - (Hot)
3	N/C Relay #1	9	N/C Relay #3		
4	N/O Relay #2	10	N/O Relay #4		
5	C Relay #2	11	C Relay #4		
6	N/C Relay #2	12	N/C Relay #4		

All relay contacts are shown in their de-energized state. When power is applied to the unit the relays will energize. The relays will then de-energize when a signal is received from the transmitter.



Dimensions (with mounting plate) 6.3" L x 4.8" W x 2.3" H

CONTROLS AND INDICATORS



LED1	Illuminated when power is applied to receiver
LED2	Illuminated when relay #1 is energized
LED3	Illuminated when relay #2 is energized
LED4	Illuminated when relay #3 is energized
LED5	Illuminated when relay #4 is energized
RF1	RF module that receives data from the remote transmitter
REL1 thru REL4	Four SPDT output control relays
SEL1	Seven dip switches for selecting relay options and operating frequency

AIR-EAGLE® XLT

900 MHz RF Receiver

MODEL 441-8000-N/C

RELAY & FREQUENCY SET-UP

The unit is shipped from the factory with SEL1 switches in the open positions. All four relays will operate as maintained momentary and unit is receiving commands on frequency one. If you wish to change these default settings, follow the instructions on the table below.

- 1) Remove power from unit
- 2) Remove top cover.
- 3) Select desired relay operation and/or network frequency using table below.
- 4) Reattach cover and apply power.
- 5) Programming is now complete.

RELAY CONFIGURATION

SEL1 SWITCH NUMBER	OPEN	CLOSED
SW1	Relay #1 momentary (default)	Relay #1 toggle/latch
SW2	Relay #2 momentary (default)	Relay #2 toggle/latch
SW3	Relay #3 momentary (default)	Relay #3 toggle/latch
SW4	Relay #4 momentary (default)	Relay #4 toggle/latch

Maintained Momentary – Relay mimics button or input – when depressed or closed, relay will be energized; when released, relay de-energizes

Toggle Latch – Relay changes (and holds) its state each time the corresponding button or input is depressed or closed.

FREQUENCY SET-UP

	Network Frequency	SW5	SW6	SW7
SEL1 (SW5-7)	1 (default)	OPEN	OPEN	OPEN
	2	CLOSED	OPEN	OPEN
	3	OPEN	CLOSED	OPEN
	4	CLOSED	CLOSED	OPEN
	5	OPEN	OPEN	CLOSED
	6	CLOSED	OPEN	CLOSED
	7	OPEN	CLOSED	CLOSED

SPECIFICATIONS

AC Input	120 VAC, 5 W, 50/60 Hz
Relay Contacts	SPDT 5 amp @ 120VAC or 30VDC per channel
Fuse Protected	1 amp
Receiver Range	Approximately 2500 feet (Up to 4 miles with external antenna - see accessories)
Receiver Frequency	900 MHz Spread Spectrum
Receiver Channels	Seven independent network frequencies
Operating Temperature	-40° F to +185° F
Enclosure	Polycarbonate, IP66 (NEMA 4)
Weight	Approx 2 lbs.

REPLACEMENT PARTS & ACCESSORIES

PC Board (Main)	441-8002-N/C
Standard Antenna (Included):	
900MHz Portable Antenna (For distances up to 2500 feet*)	49-1103
Optional Antennas and Accessories – Used to increase range in both non line of sight and line of sight applications. - Contact BWI Eagle for recommendations	
900MHz Omni Directional Antenna (For distances up to 2 miles*)	49-3101
900MHz 13dB Yagi Antenna Long Range Operation (For distances up to 4 miles*)	49-3102
Flex Coax Cable w/Connectors	49-4000-XX (XX = # of Feet)
Inline Lightning Arrestor	49-5002
2 Ft. Bulkhead Assembly (Used when mounting receiver inside another enclosure)	49-5004
* = Line of Sight	

LIMITED WARRANTY STATEMENT

BWI Eagle Inc. warrants the Air-Eagle Remote Control System, if properly used and installed, will be free from defects in material and workmanship for a period of 1 year after date of purchase. Said warranty to include the repair or replacement of defective equipment. This warranty does not cover damage due to external causes, including accident, problems with electrical power, usage not in accordance with product instructions, misuse, neglect, alteration, repair, improper installation, or improper testing. This limited warranty, and any implied warranties that may exist under state law, apply only to the original purchaser of the equipment, and last only for as long as such purchaser continues to own the equipment. This warranty replaces all other warranties, express or implied including, but not limited to, the implied warranties of merchantability and fitness for a particular purpose. BWI Eagle makes no express warranties beyond those stated here. BWI disclaims without limitation, implied warranties of merchantability and fitness for a particular purpose. Some jurisdictions do not allow the exclusion of implied warranties so this limitation may not apply to you. To obtain warranty service, contact BWI Eagle for a return material authorization. When returning equipment to BWI Eagle, the customer assumes the risk of damage or loss during shipping and is responsible for the shipping costs incurred.

DOCUMENT DATE: 03/01/2019 / PRODUCT REV. 5



105 Bonnie Drive
Butler, PA 16002
(724) 283-4681
Fax (724) 283-5939
www.bwieagle.com

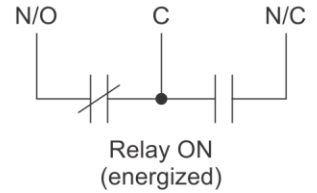
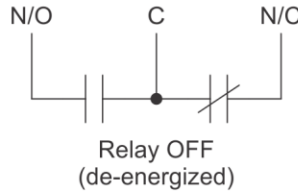


105 Bonnie Drive
Butler, PA 16002
724-283-4681
724-283-5939 (fax)
www.bwieagle.com

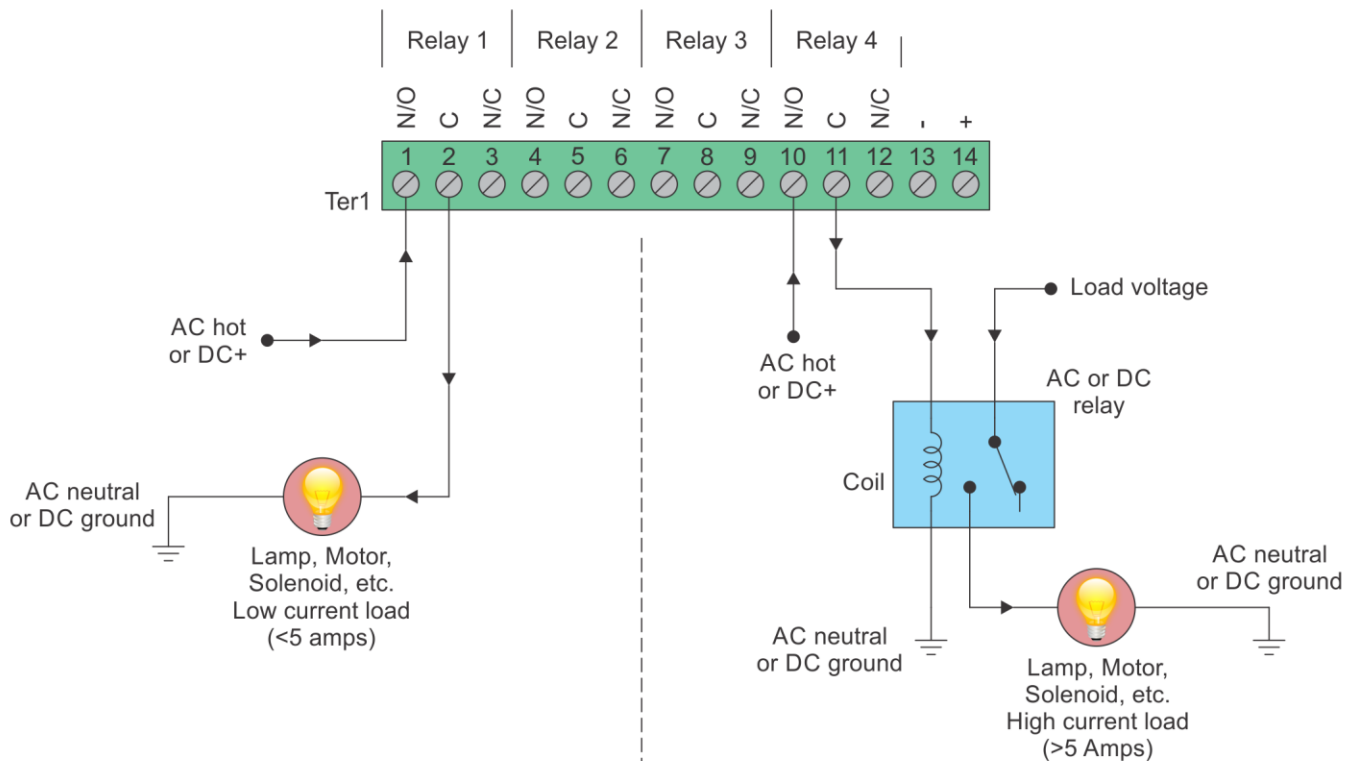
RELAY OUTPUT WIRING

4-Relay Receiver

Receiver outputs are dry relay contacts, like an SPDT switch. When the relay is in a de-energized state, the N/C (normally closed) contact is connected to C (common). When the relay is energized the N/O (normally open) contact is connected to C (common).



Normally Open Application with Externally Supplied Voltage



Internal Relay - Loads Less Than 5 Amps

Loads up to 5 Amps may be wired directly to the internal relays. Wiring to the N/O contact will cause the load to turn on when the relay is energized (the load is on when the relay is on). Wiring to the N/C contact will cause the load to turn on when the relay is de-energized (the load is on when the relay is off). AC or DC voltages can be switched through the relay.

External Relay - Loads Over 5 Amps

Loads over 5 Amps must use an external high current relay. Diagram shows how to turn on the relay using the lower current internal relay of the receiver. AC or DC voltages can be switched through the relay. Note: A protection diode for DC coils or an MOV for AC coils is recommended to reduce inductive EMI noise.

Wiring configurations shown here are examples. The wiring for your application may differ.
Call BWI Eagle for assistance or consult an electrician.