



105 Bonnie Drive  
Butler, PA 16002  
724-283-4681  
724-283-5939 (fax)  
www.bwieagle.com

# PRODUCT INFORMATION BULLETIN

## AIR-EAGLE® XLT 900 MHz RF Receiver MODEL 441-7000-DC

### DESCRIPTION

The AIR-EAGLE XLT is an RF system designed for medium to long range wireless remote control of electrical apparatus in a variety of industrial applications. Systems can consist of any number of receivers and handheld or contact input transmitters working together. This receiver is equipped with 4 independent relays that are capable of switching 5 amps @ up to 120VAC or 30VDC that can be directly interfaced with the customer's equipment or P.L.C. Sixteen user-selectable digital addresses allow the user to assign a separate address for each receiver when multiple units must receive commands from a single transmitter. Seven user selectable frequencies allow multiple systems to be used in the same area. Capable of receiving remote signals transmitted from up to 2500 feet away (with the handheld transmitter) or up to 2 miles away (with the contact input transmitter), the Air-Eagle XLT utilizes spread-spectrum technology and provides the utmost security and reliability even in the noisiest RF environments.

### APPROVALS

United States (FCC)	MCQ-XB900HP
Canada (IC)	1846A-XB900HP

### INSTALLATION

DISCONNECT DC Power from all equipment before installation.

1. Mount the AIR-EAGLE XLT RECEIVER in a convenient location.
2. Set digital address and frequency (if needed) of receiver (see DIGITAL ADDRESS & FREQUENCY SET-UP)
3. Install relay wiring to terminal strip.
4. Install antenna. The unit has an antenna connector located on the right side of the enclosure. Attach the supplied portable antenna to this connector.
5. Connect DC power to the proper terminals in your control circuit.

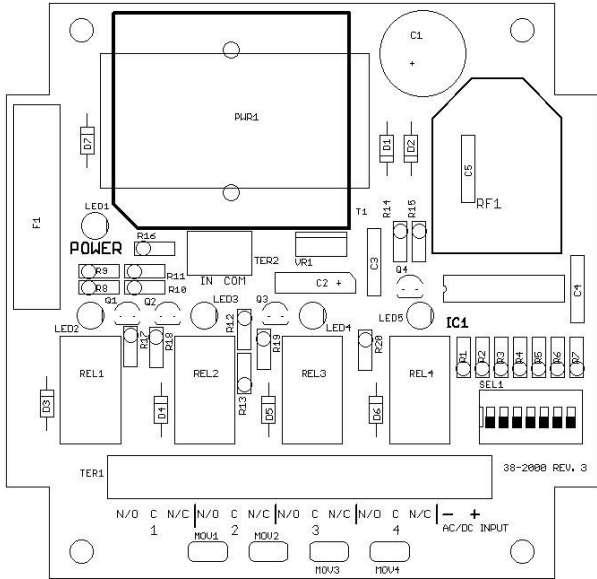
### TERMINAL STRIP WIRING

1	N/O Relay #1	7	N/O Relay #3	13	(-) 9-36VDC INPUT
2	C Relay #1	8	C Relay #3	14	(+) 9-36VDC INPUT
3	N/C Relay #1	9	N/C Relay #3		
4	N/O Relay #2	10	N/O Relay #4		
5	C Relay #2	11	C Relay #4		
6	N/C Relay #2	12	N/C Relay #4		



Dimensions (with mounting plate) 6.3" L x 4.8" W x 2.3" H

### CONTROLS AND INDICATORS



LED1	Illuminated when power is applied to receiver
LED2	Illuminated when relay #1 is energized
LED3	Illuminated when relay #2 is energized
LED4	Illuminated when relay #3 is energized
LED5	Illuminated when relay #4 is energized
RF1	RF module that receives data from the remote transmitter
REL1 thru REL4	Four SPDT output control relays
SEL1	Seven dip switches for selecting digital address and operating frequency

# AIR-EAGLE® XLT

900 MHz RF Receiver

**MODEL 441-7000-DC**

## RELAY OPERATION

Relays energize based on commands received from the transmitter. See table below for relay mode configuration for this receiver:

TX BUTTON OR INPUT ACTIVATED	RELAY OPERATION – MODE
1	Relay #1 Energizes, Maintained Momentary
2	Relay #2 Energizes, Maintained Momentary
3	Relay #3 Energizes, Maintained Momentary
4	Relay #4 Energizes, Maintained Momentary

**Maintained Momentary** – Relay mimics button or input – when depressed or closed, relay will be energized; when released, relay de-energizes

## DIGITAL ADDRESS & FREQUENCY SET-UP

The unit is shipped from the factory with SEL1 switches set so that unit is receiving commands on Digital Address "1" / Frequency "1". To change these default settings, follow the instructions on the table below.

- 1) Remove power from unit.
- 2) Remove top cover.
- 3) Select desired digital address and/or network frequency using table below.
- 4) Reattach cover and apply power.
- 5) Programming is now complete.

### DIGITAL ADDRESS SET-UP

SEL1 (SW1-4)	Digital Address	SW1	SW2	SW3	SW4
	1 (default)	OPEN	OPEN	OPEN	OPEN
	2	CLOSED	OPEN	OPEN	OPEN
	3	OPEN	CLOSED	OPEN	OPEN
	4	CLOSED	CLOSED	OPEN	OPEN
	5	OPEN	OPEN	CLOSED	OPEN
	6	CLOSED	OPEN	CLOSED	OPEN
	7	OPEN	CLOSED	CLOSED	OPEN
	8	CLOSED	CLOSED	CLOSED	OPEN
	9	OPEN	OPEN	OPEN	CLOSED
	10	CLOSED	OPEN	OPEN	CLOSED
	11	OPEN	CLOSED	OPEN	CLOSED
	12	CLOSED	CLOSED	OPEN	CLOSED
	13	OPEN	OPEN	CLOSED	CLOSED
	14	CLOSED	OPEN	CLOSED	CLOSED
	15	OPEN	CLOSED	CLOSED	CLOSED
	16	CLOSED	CLOSED	CLOSED	CLOSED

### FREQUENCY SET-UP

SEL1 (SW5-7)	Network Frequency	SW5	SW6	SW7
	1 (default)	OPEN	OPEN	OPEN
	2	CLOSED	OPEN	OPEN
	3	OPEN	CLOSED	OPEN
	4	CLOSED	CLOSED	OPEN
	5	OPEN	OPEN	CLOSED
	6	CLOSED	OPEN	CLOSED
	7	OPEN	CLOSED	CLOSED

## SPECIFICATIONS

DC Input	9-36VDC @ 10 WATTS
Relay Contacts	SPDT 5 amp @ 120VAC or 30VDC
Fuse Protected	1 amp
Receiver Range	Approximately 2500 feet (Up to 4 miles with external antenna - see accessories)
Receiver Frequency	900 MHz Spread Spectrum
Receiver Addresses	16 User-selectable digital addresses
Receiver Channels	Seven independent network frequencies
Operating Temperature	-40° F to +185° F
Enclosure	Polycarbonate, IP66 (NEMA 4)
Weight	Approx 2 lbs.

## REPLACEMENT PARTS & ACCESSORIES

PC Board (Main)	441-7002-DC
Standard Antenna (Included):	
900MHz Portable Antenna (For distances up to 2500 feet*)	49-1103
Optional Antennas and Accessories – Used to increase range in both non line of sight and line of sight applications. - Contact BWI Eagle for recommendations	
900MHz Omni Directional Antenna (For distances up to 2 miles*)	49-3101
900MHz 13dB Yagi Antenna Long Range Operation (For distances up to 4 miles*)	49-3102
Flex Coax Cable w/Connectors	49-4000-XX (XX = # of Feet)
2 Ft. Bulkhead Assembly (Used when mounting receiver inside another enclosure)	49-5004
* = Line of Sight	

## LIMITED WARRANTY STATEMENT

BWI Eagle Inc. warrants the Air-Eagle Remote Control System, if properly used and installed, will be free from defects in material and workmanship for a period of 1 year after date of purchase. Said warranty to include the repair or replacement of defective equipment. This warranty does not cover damage due to external causes, including accident, problems with electrical power, usage not in accordance with product instructions, misuse, neglect, alteration, repair, improper installation, or improper testing. This limited warranty, and any implied warranties that may exist under state law, apply only to the original purchaser of the equipment, and last only for as long as such purchaser continues to own the equipment. This warranty replaces all other warranties, express or implied including, but not limited to, the implied warranties or merchantability and fitness for a particular purpose. BWI Eagle makes no express warranties beyond those stated here. BWI disclaims without limitation, implied warranties of merchantability and fitness for a particular purpose. Some jurisdictions do not allow the exclusion of implied warranties so this limitation may not apply to you. To obtain warranty service, contact BWI Eagle for a return material authorization. When returning equipment to BWI Eagle, the customer assumes the risk of damage or loss during shipping and is responsible for the shipping costs incurred.

DOCUMENT DATE: 03/01/2019 / PRODUCT REV. 5



105 Bonnie Drive  
Butler, PA 16002  
(724) 283-4681  
Fax (724) 283-5939  
[www.bwieagle.com](http://www.bwieagle.com)

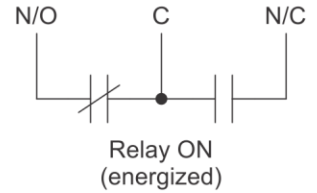
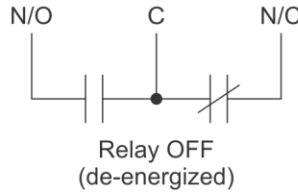


105 Bonnie Drive  
Butler, PA 16002  
724-283-4681  
724-283-5939 (fax)  
www.bwieagle.com

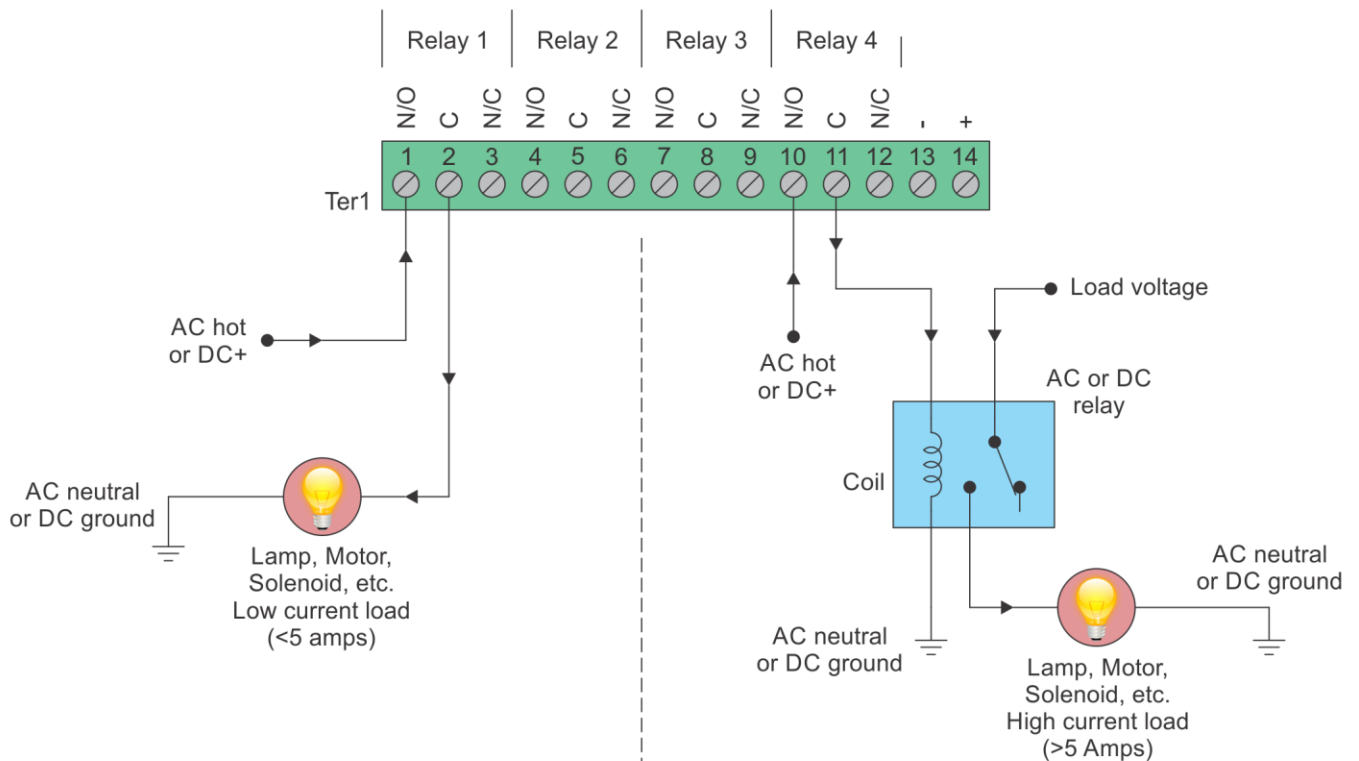
# RELAY OUTPUT WIRING

## 4-Relay Receiver

Receiver outputs are dry relay contacts, like an SPDT switch. When the relay is in a de-energized state, the N/C (normally closed) contact is connected to C (common). When the relay is energized the N/O (normally open) contact is connected to C (common).



### Normally Open Application with Externally Supplied Voltage



#### Internal Relay - Loads Less Than 5 Amps

Loads up to 5 Amps may be wired directly to the internal relays. Wiring to the N/O contact will cause the load to turn on when the relay is energized (the load is on when the relay is on). Wiring to the N/C contact will cause the load to turn on when the relay is de-energized (the load is on when the relay is off). AC or DC voltages can be switched through the relay.

#### External Relay - Loads Over 5 Amps

Loads over 5 Amps must use an external high current relay. Diagram shows how to turn on the relay using the lower current internal relay of the receiver. AC or DC voltages can be switched through the relay. Note: A protection diode for DC coils or an MOV for AC coils is recommended to reduce inductive EMI noise.

Wiring configurations shown here are examples. The wiring for your application may differ.  
Call BWI Eagle for assistance or consult an electrician.