



105 Bonnie Drive
Butler, PA 16002
724-283-4681
724-283-5939 (fax)
www.bwieagle.com

PRODUCT INFORMATION BULLETIN

AIR-EAGLE® XLT 900 MHz RF Transceiver MODEL 441-6000-DC

DESCRIPTION

The AIR-EAGLE XLT RF TRANSCEIVER IS a dual I/O unit designed to transmit and receive unique signals from an identical unit located up to 2500 feet away. This model comes equipped with three contact inputs and two 5-amp SPDT relay outputs. This allows the user to not only transmit information out but receive a confirming signal back that the operation was performed. The Air-Eagle XLT TRX is user-programmable for up to seven network frequencies to allow multiple systems to operate simultaneously in the same area and utilizes spread-spectrum technology and provides the utmost security and reliability even in the noisiest RF environments.

APPROVALS

United States (FCC)	MCQ-XB900HP
Canada (IC)	1846A-XB900HP

INSTALLATION

DISCONNECT Power RF from all equipment before installation.

1. Mount the AIR-EAGLE XLT TRANSCEIVER in a convenient location.
2. Install antenna onto connector located on the right side on the enclosure.
3. Connect DC power to the proper terminals in your control circuit.

PC BOARD SET-UP INFORMATION

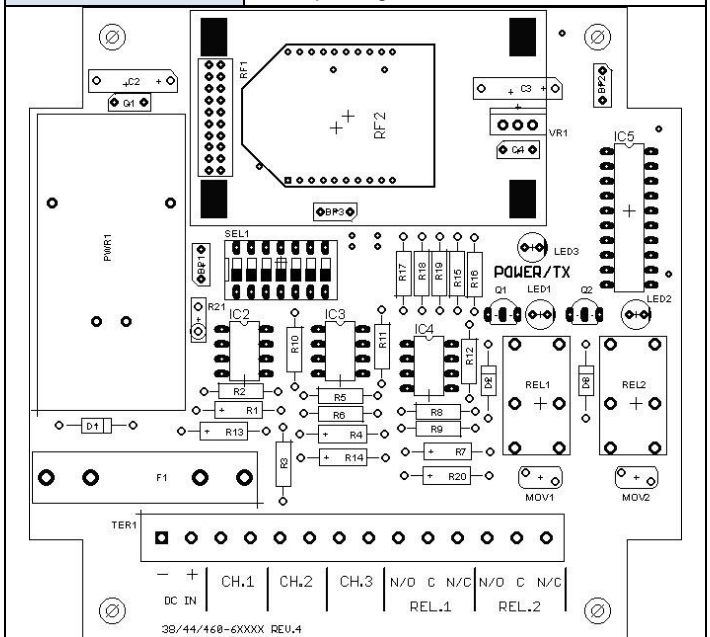
Make the following connections on the PC Board Terminal Strip (TER1)

TERMINAL STRIP WIRING (TER1)	
Terminal 1	Negative (-) 9-36VDC
Terminal 2	Positive (+) 9-36VDC
Terminal 3	CH1 Dry Contact Input (Common)
Terminal 4	CH1 Dry Contact Input
Terminal 5	CH2 Dry Contact Input (Common)
Terminal 6	CH2 Dry Contact Input
Terminal 7	CH3 Dry Contact Input (Common)
Terminal 8	CH3 Dry Contact Input
Terminal 9	CH1 Relay N/O
Terminal 10	CH1 Relay C
Terminal 11	CH1 Relay N/C
Terminal 12	CH2 Relay N/O
Terminal 13	CH2 Relay C
Terminal 14	CH2 Relay N/C



CONTROLS & INDICATORS

POWER/TX LED	Illuminates Green when power is applied, changes to Red when transmitting.
LED1	Green LED illuminates continuously while relay #1 is energized
LED2	Green LED illuminates continuously while relay #2 is energized
Dry Contact Inputs	Transmit individual RF codes to the remote transceiver
REL1 & REL2	Two SPDT output control relays
RF1	RF Module that transmits/receives data for corresponding unit



AIR-EAGLE® XLT

900 MHz RF Transceiver

MODEL 441-6000-DC

RELAY & FREQUENCY SET-UP

The unit is shipped from the factory with SEL1 switches in the open positions. The relays will operate as maintained momentary and unit is receiving commands on frequency one. If you wish to change these default settings, follow the instructions on the table below.

- 1) Remove power from unit
- 2) Remove top cover.
- 3) Select desired relay operation and/or network frequency using table below.
- 4) Reattach cover and apply power.
- 5) Programming is now complete.

RELAY CONFIGURATION

SEL1 SWITCH NUMBER	OPEN	CLOSED
SW1	Relay #1 momentary (default)	Relay #1 toggle/latch
SW2	Relay #2 momentary (default)	Relay #2 toggle/latch

Maintained Momentary – Relay mimics button or input – when depressed or closed, relay will be energized; when released, relay de-energizes

Toggle Latch – Relay changes (and holds) its state each time the corresponding button or input is depressed or closed.

FUTURE OPTIONS

SW3 & 4	Not used on this model
---------	------------------------

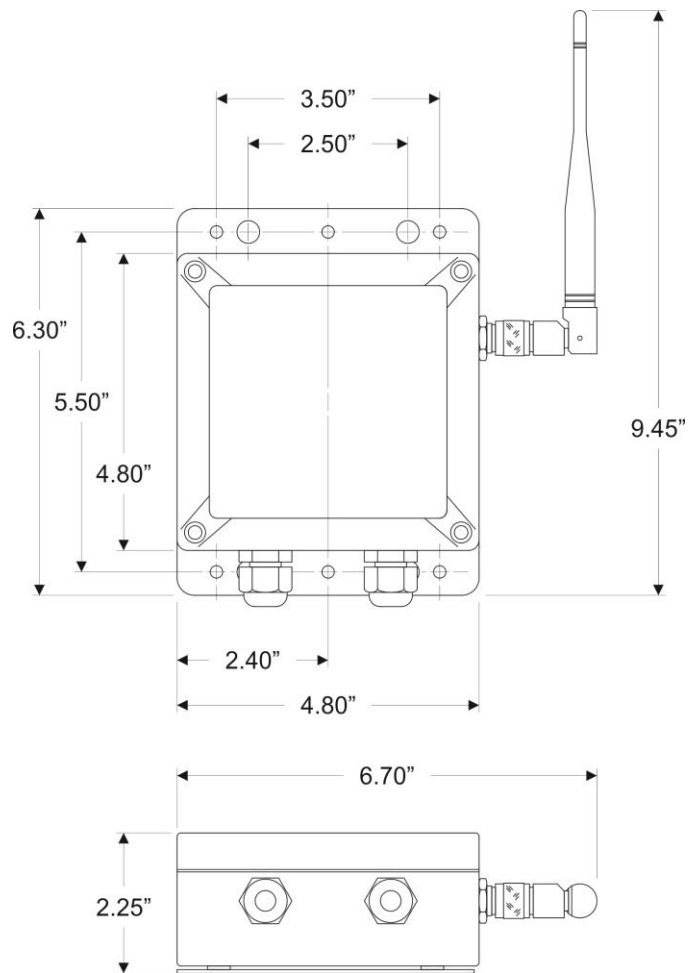
FREQUENCY SET-UP

SEL1 (SW5-7)	Network Frequency	SW5	SW6	SW7
	1 (default)	OPEN	OPEN	OPEN
	2	CLOSED	OPEN	OPEN
	3	OPEN	CLOSED	OPEN
	4	CLOSED	CLOSED	OPEN
	5	OPEN	OPEN	CLOSED
	6	CLOSED	OPEN	CLOSED
7	OPEN	CLOSED	CLOSED	

SPECIFICATIONS

DC Input	9 – 36 VDC @ 10 Watts
Relay Contacts	SPDT 5 amp @ 120VAC or 30VDC per channel
Fuse Protected	1 amp
Transceiver Frequency	900 MHz Spread Spectrum
RF Output Power	250 mW
Transceiver Range	Approximately 2500 feet w/standard antenna
Transceiver Channels	7 Independent Network Frequencies
Antenna Connection	TNC Bulkhead
Operating Temperature	-40° F to +185° F
Enclosure	Polycarbonate, IP66 (NEMA 4)
Weight	Approx 2 lbs.

DIMENSIONS



REPLACEMENT PARTS & ACCESSORIES

PC Board (Main)	441-6002-DC
Standard Antenna (Included):	
900MHz Portable Antenna (For distances up to 2500 feet*)	49-1103
Optional Antennas and Accessories:	
900MHz Omni Directional Antenna (For distances up to 2 miles*)	49-3101
900MHz 13dB Yagi Antenna Long Range Operation (For distances up to 4 miles*)	49-3102
Flex Coax Cable w/Connectors	49-4000-XX (XX = # of Feet)
2 Ft. Bulkhead Assembly (Used when mounting receiver inside another enclosure)	49-5004-2-ISO
* = Line of Sight	

AIR-EAGLE® XLT

900 MHz RF Transceiver

MODEL 441-6000-DC

LIMITED WARRANTY STATEMENT

BWI Eagle Inc. warrants the Air-Eagle Remote Control System, if properly used and installed, will be free from defects in material and workmanship for a period of 1 year after date of purchase. Said warranty to include the repair or replacement of defective equipment. This warranty does not cover damage due to external causes, including accident, problems with electrical power, usage not in accordance with product instructions, misuse, neglect, alteration, repair, improper installation, or improper testing. This limited warranty, and any implied warranties that may exist under state law, apply only to the original purchaser of the equipment, and last only for as long as such purchaser continues to own the equipment. This warranty replaces all other warranties, express or implied including, but not limited to, the implied warranties or merchantability and fitness for a particular purpose. BWI Eagle makes no express warranties beyond those stated here. BWI disclaims without limitation, implied warranties of merchantability and fitness for a particular purpose. Some jurisdictions do not allow the exclusion of implied warranties so this limitation may not apply to you. To obtain warranty service, contact BWI Eagle for a return material authorization. When returning equipment to BWI Eagle, the customer assumes the risk of damage or loss during shipping and is responsible for the shipping costs incurred.

DOCUMENT DATE: 03/01/2019 / PRODUCT REV. 5



105 Bonnie Drive
Butler, PA 16002
(724) 283-4681
Fax (724) 283-5939
www.bwieagle.com