



105 Bonnie Drive
Butler, PA 16002
724-283-4681
724-283-5939 (fax)
www.bwieagle.com

PRODUCT INFORMATION BULLETIN

AIR-EAGLE® XLT 900 MHz RF Transmitter MODEL 441-10100-DCI-AC

DESCRIPTION

The AIR-EAGLE XLT TX is an R.F. transmitter capable of sending a single 5-24VDC input command to an Air-Eagle XLT Receiver located up to 2500 feet away. Any number of transmitters and receivers can be combined to create a medium range radio frequency system that operates hazardous or hard-to-reach electrical apparatus from safe, convenient locations. Seven user-selectable frequencies allow multiple systems to operate simultaneously in the same area without interference.

APPROVALS

United States (FCC)	MCQ-XB900HP
Canada (IC)	1846A-XB900HP

INSTALLATION

DISCONNECT AC Power from all equipment before installation.

1. Mount the AIR-EAGLE XLT TRANSMITTER in a convenient location.
2. Install wiring to input terminal strip
3. Install antenna. The unit has an antenna connector located on the right side on the enclosure. Attach the supplied portable antenna to this connector.
4. Connect AC power to the proper terminals in your control circuit.

TERMINAL STRIP WIRING

TER 3 VOLTAGE INPUT		TER 2 RELAY OUTPUT		TER 1 AC/DC POWER INPUT	
1	(-) 5-24VDC	1	Not Used	1	100-250 VAC
2	(+) 5-24VDC	2	Not Used	2	100-250 VAC
		3	Not Used	3	Ground

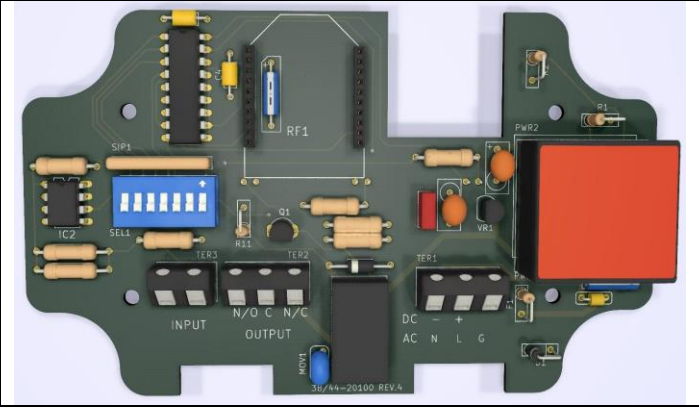
GENERAL OPERATION

When 5-24VDC appears on the input the unit transmits to energize relay 1 (or another relay as selected by the channel code transmitted) in any receiver within transmit range. The signal transmits continuously as long as the voltage is present and ceases when voltage is removed.



Dimensions (with mounting plate) 7.07L x 3.57W x 1.62H

CONTROLS AND INDICATORS



Power – LED1	Illuminates green when unit is powered
TX – LED2	Illuminates red when unit is transmitting
Relay – LED3	Not used on this model
RF1	RF module that sends data to the remote receiver
SEL1	Seven dip switches for selecting options and network frequency
TER3	5-24VDC input
TER2	Relay output
TER1	Power Input

AIR-EAGLE® XLT

900 MHz RF Transmitter

MODEL 441-10100-DCI-AC

CHANNEL CODE & FREQUENCY SET-UP

The unit is shipped from the factory with all SEL1 switches in the open positions. By default it is transmitting Channel #1 code and operating on Frequency #1. If you wish to transmit a different channel code or and/or change the frequency, follow the instructions on the table below.

- 1) Remove power from unit
- 2) Remove top cover.
- 3) Select desired channel code and/or frequency using table below.
- 4) Reattach cover and apply power.
- 5) Programming is now complete.

CHANNEL SELECTION SET-UP

	Channel Code To Be Transmitted	SW1	SW2	SW3	SW4
SEL1 (SW1-4)	1 (default)	OPEN	OPEN	OPEN	OPEN
	2	CLOSED	OPEN	OPEN	OPEN
	3	OPEN	CLOSED	OPEN	OPEN
	4	CLOSED	CLOSED	OPEN	OPEN
	5	OPEN	OPEN	CLOSED	OPEN
	6	CLOSED	OPEN	CLOSED	OPEN
	7	OPEN	CLOSED	CLOSED	OPEN
	8	CLOSED	CLOSED	CLOSED	OPEN
	9	OPEN	OPEN	OPEN	CLOSED
	10	CLOSED	OPEN	OPEN	CLOSED
	11	OPEN	CLOSED	OPEN	CLOSED
	12	CLOSED	CLOSED	OPEN	CLOSED
	13	OPEN	OPEN	CLOSED	CLOSED
	14	CLOSED	OPEN	CLOSED	CLOSED
	15	OPEN	CLOSED	CLOSED	CLOSED
	16	CLOSED	CLOSED	CLOSED	CLOSED

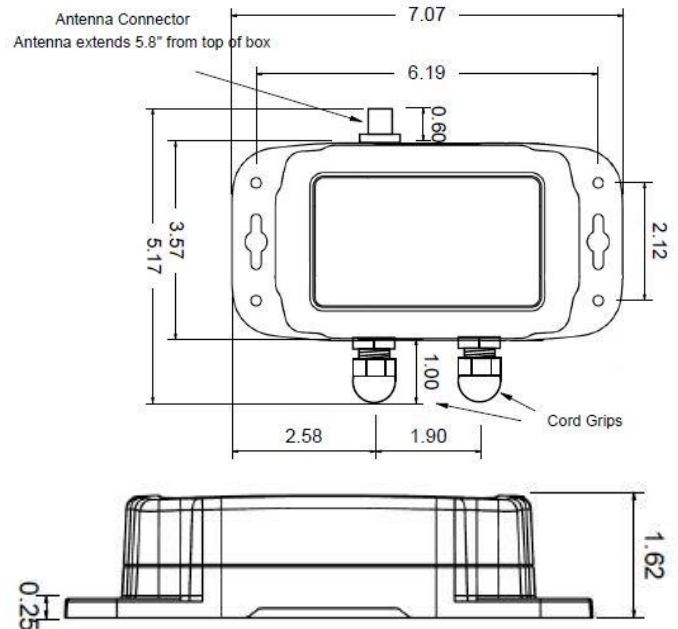
FREQUENCY SET-UP

	Network Frequency	SW5	SW6	SW7
SEL1 (SW5-7)	1 (default)	OPEN	OPEN	OPEN
	2	CLOSED	OPEN	OPEN
	3	OPEN	CLOSED	OPEN
	4	CLOSED	CLOSED	OPEN
	5	OPEN	OPEN	CLOSED
	6	CLOSED	OPEN	CLOSED
	7	OPEN	CLOSED	CLOSED

SPECIFICATIONS

AC Input	100-250 VAC, 5 W, 50/60 Hz
Transmitter Frequency	900 MHz Spread Spectrum
RF Output Power	250 mW
Transmit Range	Approximately 2500 Feet
Transmit Data	5-24VDC Input
Transmitter Channels	7 Independent Network Frequencies
Antenna Connection	TNC Female Connector
Operating Temperature	-40° F to +185° F
Enclosure	Polycarbonate NEMA 4, 12, 13 – IP66
Weight	Approx 2 lbs.

DIMENSIONS



REPLACEMENT PARTS & ACCESSORIES

PC Board (Main)	441-10102-DCI-AC
Standard Antenna (Included):	
900MHz Portable Antenna (For distances up to 2500 feet*)	49-1103
Optional Antennas and Accessories:	
900MHz Omni Directional Antenna (For distances up to 2 miles*)	49-3101
900MHz 13dB Yagi Antenna Long Range Operation (For distances up to 4 miles*)	49-3102
Flex Coax Cable w/Connectors	49-4000-XX (XX = # of Feet)
2 Ft. Bulkhead Assembly (Used when mounting unit inside another enclosure)	49-5004-2-ISO
* = Line of Sight	

LIMITED WARRANTY STATEMENT

BWI Eagle Inc. warrants the Air-Eagle Remote Control System, if properly used and installed, will be free from defects in material and workmanship for a period of 1 year after date of purchase. Said warranty to include the repair or replacement of defective equipment. This warranty does not cover damage due to external causes, including accident, problems with electrical power, usage not in accordance with product instructions, misuse, neglect, alteration, repair, improper installation, or improper testing. This limited warranty, and any implied warranties that may exist under state law, apply only to the original purchaser of the equipment, and last only for as long as such purchaser continues to own the equipment. This warranty replaces all other warranties, express or implied including, but not limited to, the implied warranties of merchantability and fitness for a particular purpose. BWI Eagle makes no express warranties beyond those stated here. BWI disclaims without limitation, implied warranties of merchantability and fitness for a particular purpose. Some jurisdictions do not allow the exclusion of implied warranties so this limitation may not apply to you. To obtain warranty service, contact BWI Eagle for a return material authorization. When returning equipment to BWI Eagle, the customer assumes the risk of damage or loss during shipping and is responsible for the shipping costs incurred.

DOCUMENT DATE: 4/20/2020 / PRODUCT REV. 6