



105 Bonnie Drive
Butler, PA 16002
724-283-4681
724-283-5939 (fax)
www.bwieagle.com

PRODUCT INFORMATION BULLETIN

AIR-EAGLE® XLT 900MHz RF Receiver MODEL 44-20800-AC

DESCRIPTION

The AIR-EAGLE XLT is an RF system designed for medium to long range wireless remote control of electrical apparatus in a variety of industrial applications. Systems can consist of any number of receivers and handheld or contact input transmitters working together. This receiver is equipped with 8 independent relays that can switch 5 amps @ 120VAC or 30VDC. The relays are user programmable for momentary or toggle/latching operation and can be directly interfaced with the customer's equipment or P.L.C. Seven user selectable frequencies allow multiple systems to be used in the same area. Capable of receiving remote signals transmitted from up to 2500 feet away (with the handheld transmitter) or up to 4 miles away (with the contact input transmitter), the Air-Eagle XLT utilizes spread-spectrum technology and provides the utmost security and reliability even in the noisiest RF environments.

INSTALLATION

DISCONNECT AC Power from all equipment before installation.

1. Mount the AIR-EAGLE XLT RECEIVER in a convenient location.
2. Install relay wiring to terminal strip.
3. Install antenna onto antenna connector located on the right side on the enclosure.
4. Connect AC power to the proper terminals in your control circuit.

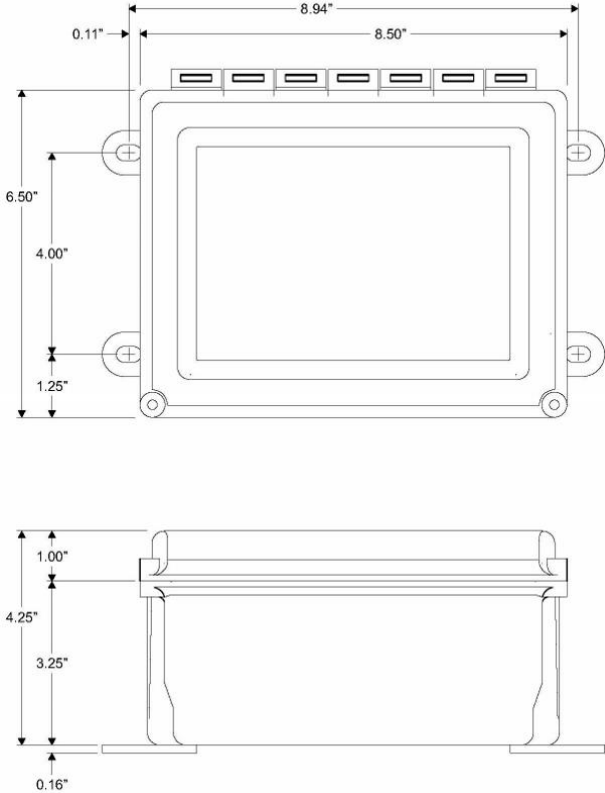
TERMINAL STRIP WIRING

1	N/O Relay #1	10	N/O Relay #4	19	N/O Relay #7
2	C Relay #1	11	C Relay #4	20	C Relay #7
3	N/C Relay #1	12	N/C Relay #4	21	N/C Relay #7
4	N/O Relay #2	13	N/O Relay #5	22	N/O Relay #8
5	C Relay #2	14	C Relay #5	23	C Relay #8
6	N/C Relay #2	15	N/C Relay #5	24	N/C Relay #8
7	N/O Relay #3	16	N/O Relay #6		
8	C Relay #3	17	C Relay #6		
9	N/C Relay #3	18	N/C Relay #6		

AC POWER INPUT	
Terminal #1	100-250 VAC
Terminal #2	100-250 VAC



DIMENSIONS



APPROVALS

United States (FCC)	MCQ-XB900HP
Canada (IC)	1846A-XB900HP

AIR-EAGLE® XLT

900MHz RF Receiver

MODEL 44-20800-AC

RELAY & FREQUENCY SET-UP

This unit is shipped from the factory with the SEL1 switches in the open positions. All eight relays will operate in a maintained momentary manner, and unit is receiving commands on frequency one. If you wish to change these default settings, follow the instructions on the table below.

- 1) Remove power from unit
- 2) Remove top cover.
- 3) Select desired relay operation and/or network frequency using table below.
- 4) Reattach cover and apply power.
- 5) Programming is now complete.

RELAY CONFIGURATION

SEL1 SWITCH NUMBER	OPEN	CLOSED
SW1	Relays #1 thru #8 maintained momentary (default)	Relays #1 thru #8 toggle/latch
SW2	Not used on this model	
Maintained Momentary – Relay mimics button or input – when depressed or closed, relay will be energized; when released, relay de-energizes		
Toggle Latch – Relay changes (and holds) its state each time the corresponding button or input is depressed or closed.		
SW3	Vibrating Feedback OFF (default)	Vibrating Feedback ON
SW4	Not used on this model	

FREQUENCY SET-UP

SEL1 (SW5-7)	Network Frequency	SW5	SW6	SW7
	1 (default)	OPEN	OPEN	OPEN
2	CLOSED	OPEN	OPEN	
3	OPEN	CLOSED	OPEN	
4	CLOSED	CLOSED	OPEN	
5	OPEN	OPEN	CLOSED	
6	CLOSED	OPEN	CLOSED	
7	OPEN	CLOSED	CLOSED	

GENERAL OPERATION

Relays #1 thru #8 energize or de-energize based on specific commands from a handheld or contact input transmitter.

BUTTON OR INPUT ACTIVATED	RELAY OPERATION
"1"	Relay #1 energizes, maintained momentary
"2"	Relay #2 energizes, maintained momentary
"3"	Relay #3 energizes, maintained momentary
"4"	Relay #4 energizes, maintained momentary
"5"	Relay #5 energizes, maintained momentary
"6"	Relay #6 energizes, maintained momentary
"7"	Relay #7 energizes, maintained momentary
"8"	Relay #8 energizes, maintained momentary

SPECIFICATIONS

AC Input	100-250 VAC, 5 W, 50/60 Hz
Fuse Protected	1 amp
Relay Contacts	SPDT 5 amp @ 120VAC or 30VDC per channel
Receiver Range	Approximately 2500 feet (Up to 4 miles with external antenna - see accessories)
Receiver Frequency	900 MHz Spread Spectrum
RF Channels	Seven independent network frequencies
Enclosure	Hinged fiberglass with window / NEMA 3, 3R, 4, 12, 13
Operating Temp	-40° F to +185° F
Weight	Approx 3.83 lbs.

REPLACEMENT PARTS & ACCESSORIES

PC Board (Main)	44-20802-AC
Standard Antenna (Included):	
900MHz Portable Antenna (For distances up to 2500 Ft)	49-1103
Optional Antennas and Accessories:	
900MHz Omni Directional Antenna (For distances up to 2 miles*)	49-3101
900MHz 13dB Yagi Antenna Long Range Operation (For distances up to 4 miles*)	49-3102
Flex Coax Cable w/Connectors	49-4000-XX (XX = # of Feet)
* = Line of Sight	

LIMITED WARRANTY STATEMENT

BWI Eagle Inc. warrants the Air-Eagle XLT Remote Control System, if properly used and installed, will be free from defects in material and workmanship for a period of 1 year after date of purchase. Said warranty to include the repair or replacement of defective equipment. This warranty does not cover damage due to external causes, including accident, problems with electrical power, usage not in accordance with product instructions, misuse, neglect, alteration, repair, improper installation, or improper testing. This limited warranty, and any implied warranties that may exist under state law, apply only to the original purchaser of the equipment, and last only for as long as such purchaser continues to own the equipment. This warranty replaces all other warranties, express or implied including, but not limited to, the implied warranties or merchantability and fitness for a particular purpose. BWI Eagle makes no express warranties beyond those stated here. BWI disclaims without limitation, implied warranties of merchantability and fitness for a particular purpose. Some jurisdictions do not allow the exclusion of implied warranties so this limitation may not apply to you. To obtain warranty service, contact BWI Eagle for a return material authorization. When returning equipment to BWI Eagle, the customer assumes the risk of damage or loss during shipping and is responsible for the shipping costs incurred.

DOCUMENT DATE: 04/17/2020 / PRODUCT REV. 5



105 Bonnie Drive
Butler, PA 16002
(724) 283-4681
Fax (724) 283-5939
www.bwieagle.com

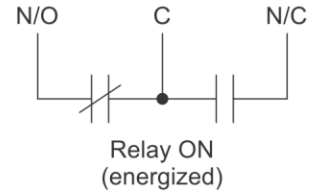
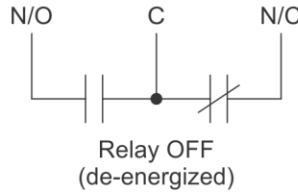


105 Bonnie Drive
Butler, PA 16002
724-283-4681
724-283-5939 (fax)
www.bwieagle.com

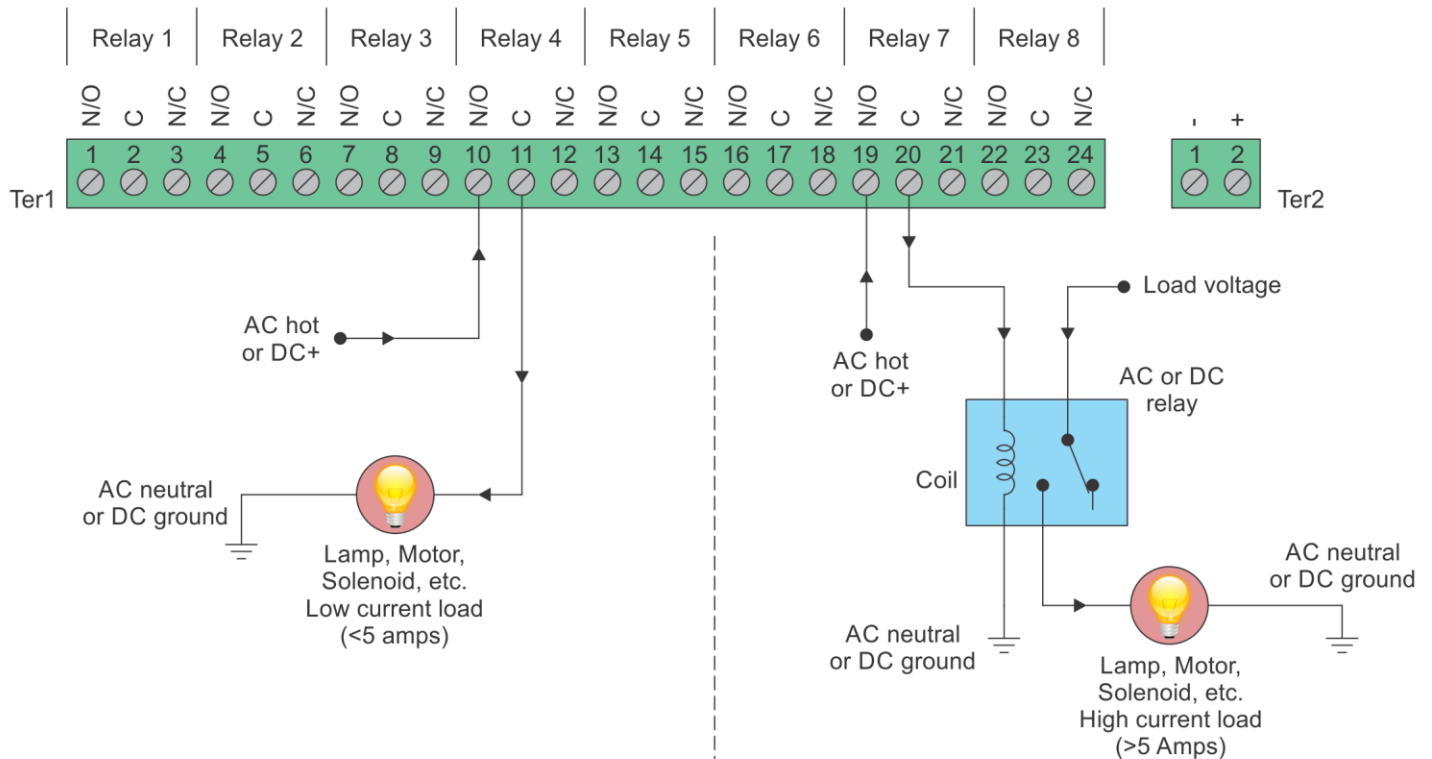
RELAY OUTPUT WIRING

8-Relay Receiver

Receiver outputs are dry relay contacts, like an SPDT switch. When the relay is in a de-energized state, the N/C (normally closed) contact is connected to C (common). When the relay is energized the N/O (normally open) contact is connected to C (common).



Normally Open Application with Externally Supplied Voltage



Internal Relay - Loads Less Than 5 Amps

Loads up to 5 Amps may be wired directly to the internal relays. Wiring to the N/O contact will cause the load to turn on when the relay is energized (the load is on when the relay is on). Wiring to the N/C contact will cause the load to turn on when the relay is de-energized (the load is on when the relay is off). AC or DC voltages can be switched through the relay.

External Relay - Loads Over 5 Amps

Loads over 5 Amps must use an external high current relay. Diagram shows how to turn on the relay using the lower current internal relay of the receiver. AC or DC voltages can be switched through the relay. Note: A protection diode for DC coils or an MOV for AC coils is recommended to reduce inductive EMI noise.

Wiring configurations shown here are examples. The wiring for your application may differ.
Call BWI Eagle for assistance or consult an electrician.