



105 Bonnie Drive
Butler, PA 16002
724-283-4681
724-283-5939 (fax)
www.bwieagle.com

PRODUCT INFORMATION BULLETIN

AIR-EAGLE® XLT 900MHz 8 Input Transmitter MODEL 44-1800-DCI-120VAC

DESCRIPTION

The AIR-EAGLE XLT, MODEL 44-1800-DCI-120VAC is an R.F. transmitter capable of sending eight 5-24VDC input commands to an Air-Eagle XLT Receiver. Any number of transmitters and receivers can be combined to create a long range radio frequency system that operates hazardous or hard-to-reach electrical apparatus from safe, convenient locations of up to 2500 feet away (Up to 2 mile range with optional antennas). This unit is user-programmable for up seven network frequencies to allow multiple systems to operate simultaneously in the same area without interference.

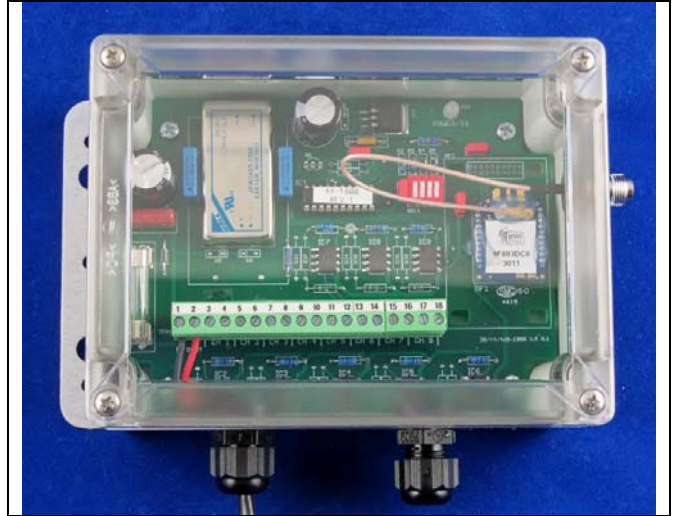
INSTALLATION

DISCONNECT Power from all equipment before installation.

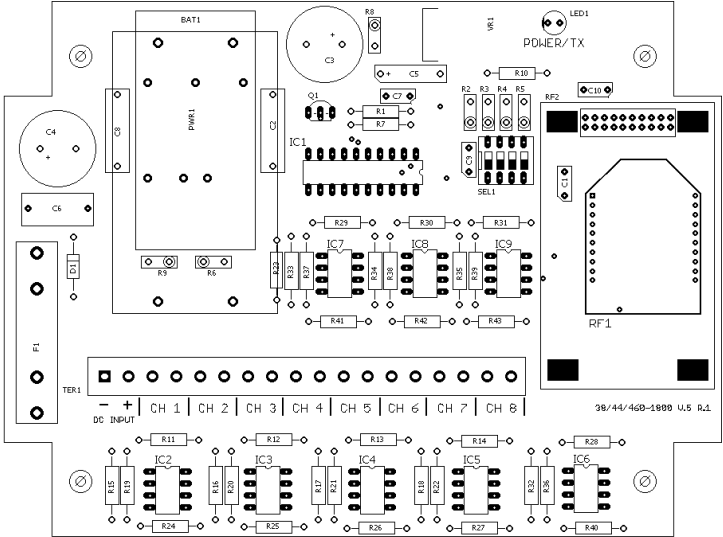
1. Mount the transmitter in a convenient location.
2. Install input wiring to TER1
3. Attach supplied rubber duck antenna to TNC connector on the right side of the unit.
4. Plug supplied 120VAC wall plug into 110VAC outlet.

TERMINAL STRIP WIRING

1	(-) 12VDC from supplied AC wall plug adapter
2	(+) 12VDC from supplied AC wall plug adapter
3	Input 1 – 5-24VDC (-)
4	Input 1 – 5-24VDC (+)
5	Input 2 – 5-24VDC (-)
6	Input 2 – 5-24VDC (+)
7	Input 3 – 5-24VDC (-)
8	Input 3 – 5-24VDC (+)
9	Input 4 – 5-24VDC (-)
10	Input 4 – 5-24VDC (+)
11	Input 5 – 5-24VDC (-)
12	Input 5 – 5-24VDC (+)
13	Input 6 – 5-24VDC (-)
14	Input 6 – 5-24VDC (+)
15	Input 7 – 5-24VDC (-)
16	Input 7 – 5-24VDC (+)
17	Input 8 – 5-24VDC (-)
18	Input 8 – 5-24VDC (+)



CONTROLS & INDICATORS



POWER/TX LED	Illuminated green when power is applied. Changes to red when transmitting data.
Inputs 1 thru 8	Eight 5-24VDC inputs
SEL1	Dip switch bank for selecting operating frequency
RF1	RF module that transmits data to the remote receiver

AIR-EAGLE® XLT

900MHz 8 Input RF Transmitter

MODEL 44-1800-DCI-120VAC

APPROVALS

United States (FCC)	MCQ-XB900HP
Canada (IC)	1846A-XB900HP

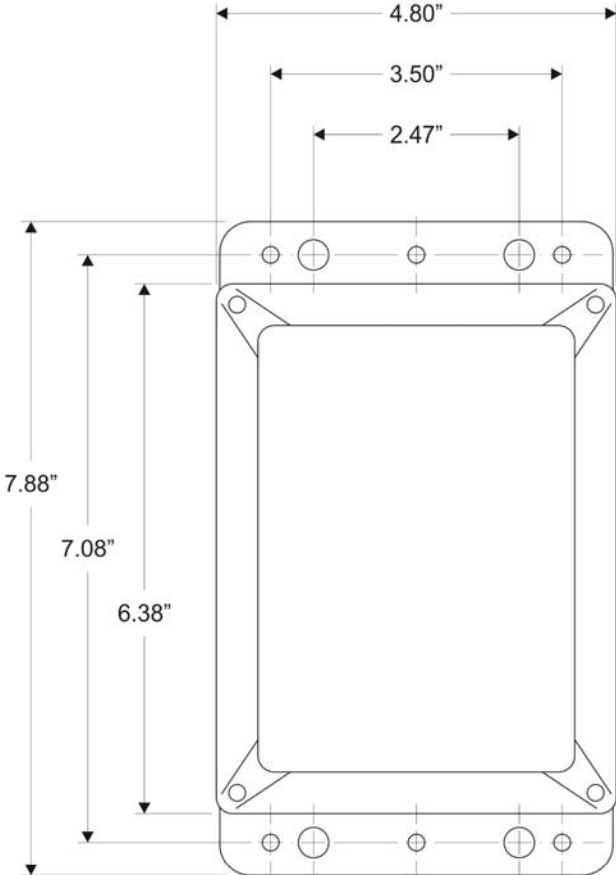
FREQUENCY SET-UP

This transmitter is shipped with the SEL1 switches in the open positions and is operating on Frequency 1. If you wish to change the default frequency setting, follow the instructions below:

- 1) Remove power from unit
- 2) Remove top cover.
- 3) Select network frequency using table below.
- 4) Reattach cover and apply power.
- 5) Programming is now complete.

SEL1 (SW 1-3): <i>(NETWORK FREQUENCY)</i>	Network Frequency	SW1	SW2	SW3
	1	OPEN	OPEN	OPEN
	2	CLOSED	OPEN	OPEN
	3	OPEN	CLOSED	OPEN
	4	CLOSED	CLOSED	OPEN
	5	OPEN	OPEN	CLOSED
	6	CLOSED	OPEN	CLOSED
	7	OPEN	CLOSED	CLOSED
SEL1 (SW4)	Reserved for future use			

DIMENSIONS



SPECIFICATIONS

AC Input	100-240 VAC, 16 W, 50/60 Hz from supplied wall adapter
Fuse Protected	1 amp
RF Frequency	900MHz Spread Spectrum
Input Channels	Eight 5-24VDC Inputs
RF Output Power	250 mW
Transmitter Range	Approximately 2500 Feet w/standard antenna
Transmitter Frequencies	7 Independent Network Frequencies
Antenna Connection	TNC Bulkhead
Enclosure	Polycarbonate, IP66 (NEMA 4)
Operating Temperature	-40° F to +185° F

REPLACEMENT PARTS & ACCESSORIES

PC Board (Main)	44-1802-DCI-DC
Standard Antenna (Included):	
900MHz Portable Antenna (For distances up to 2500 feet*)	49-1103
Optional Antennas and Accessories:	
900MHz Omni Directional Antenna (For distances up to 2 miles*)	49-3101
900MHz 13dB Yagi Antenna Long Range Operation (For distances up to 4 miles*)	49-3102
Flex Coax Cable w/Connectors	49-4000-XX (XX = # of Feet)
Inline Lightning Arrestor	49-5002
* = Line of Sight	

AIR-EAGLE® XLT

900MHz 8 Input RF Transmitter

MODEL 44-1800-DCI-120VAC

LIMITED WARRANTY STATEMENT

BWI Eagle Inc. warrants the Air-Eagle Remote Control System, if properly used and installed, will be free from defects in material and workmanship for a period of 1 year after date of purchase. Said warranty to include the repair or replacement of defective equipment. This warranty does not cover damage due to external causes, including accident, problems with electrical power, usage not in accordance with product instructions, misuse, neglect, alteration, repair, improper installation, or improper testing. This limited warranty, and any implied warranties that may exist under state law, apply only to the original purchaser of the equipment, and last only for as long as such purchaser continues to own the equipment. This warranty replaces all other warranties, express or implied including, but not limited to, the implied warranties or merchantability and fitness for a particular purpose. BWI Eagle makes no express warranties beyond those stated here. BWI disclaims without limitation, implied warranties of merchantability and fitness for a particular purpose. Some jurisdictions do not allow the exclusion of implied warranties so this limitation may not apply to you. To obtain warranty service, contact BWI Eagle for a return material authorization. When returning equipment to BWI Eagle, the customer assumes the risk of damage or loss during shipping and is responsible for the shipping costs incurred.

DOCUMENT DATE: 10/3/16 / PRODUCT REV.4



105 Bonnie Drive
Butler, PA 16002
(724) 283-4681
Fax (724) 283-5939
www.bwieagle.com