



105 Bonnie Drive
Butler, PA 16002
724-283-4681
724-283-5939 (fax)
www.bwieagle.com

PRODUCT INFORMATION BULLETIN

AIR-EAGLE® SR 2.4GHz RF Receiver MODEL 38-21600

DESCRIPTION

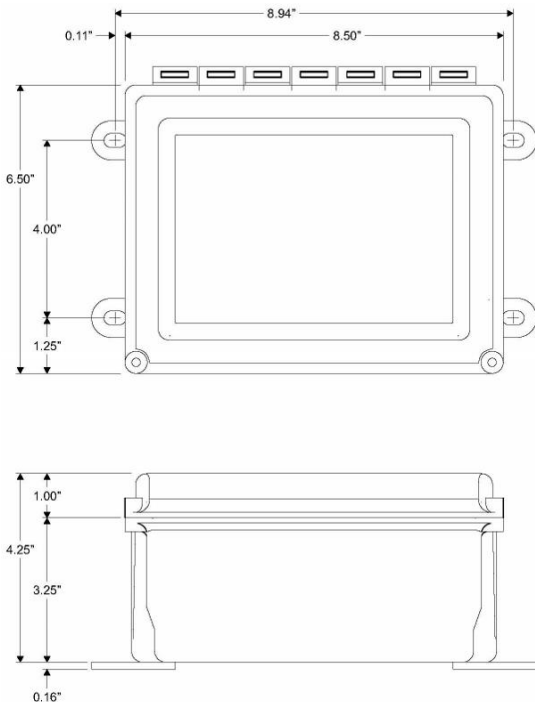
The AIR-EAGLE SR is an RF system designed for short to medium range wireless remote control of electrical apparatus in a variety of industrial applications. Systems can consist of any number of receivers and handheld or contact input transmitters working together. This receiver is equipped with 16 independent relays that can switch 5 amps @ 120VAC or 30VDC. The relays are user programmable for momentary or toggle/latching operation and can be directly interfaced with the customer's equipment or P.L.C. Eight user selectable frequencies allow multiple systems to be used in the same area. Capable of receiving remote signals transmitted from up to 100 feet away (with the SR transmitter) or up to 600 feet away (with the SR PLUS transmitter), the Air-Eagle SR Receiver utilizes spread-spectrum technology and provides the utmost security and reliability even in the noisiest RF environments.

INSTALLATION

DISCONNECT AC Power from all equipment before installation.

1. Mount the AIR-EAGLE SR RECEIVER in a convenient location.
2. Install relay wiring to terminal strip.
3. Install antenna onto antenna connector located on the right side on the enclosure.
4. Connect AC power to the proper terminals in your control circuit.

DIMENSIONS



TERMINAL STRIP WIRING

BOTTOM BOARD					
1	N/O Relay #1	10	N/O Relay #4	19	N/O Relay #7
2	C Relay #1	11	C Relay #4	20	C Relay #7
3	N/C Relay #1	12	N/C Relay #4	21	N/C Relay #7
4	N/O Relay #2	13	N/O Relay #5	22	N/O Relay #8
5	C Relay #2	14	C Relay #5	23	C Relay #8
6	N/C Relay #2	15	N/C Relay #5	24	N/C Relay #8
7	N/O Relay #3	16	N/O Relay #6		
8	C Relay #3	17	C Relay #6		
9	N/C Relay #3	18	N/C Relay #6		
TOP BOARD					
1	N/O Relay #9	10	N/O Relay #12	19	N/O Relay #15
2	C Relay #9	11	C Relay #12	20	C Relay #15
3	N/C Relay #9	12	N/C Relay #12	21	N/C Relay #15
4	N/O Relay #10	13	N/O Relay #13	22	N/O Relay #16
5	C Relay #10	14	C Relay #13	23	C Relay #16
6	N/C Relay #10	15	N/C Relay #13	24	N/C Relay #16
7	N/O Relay #11	16	N/O Relay #14		
8	C Relay #11	17	C Relay #14		
9	N/C Relay #11	18	N/C Relay #14		
AC INPUT					
Terminal #1			120 VAC - (Hot)		
Terminal #2			120 VAC - (Neutral)		

AIR-EAGLE® SR

2.4GHz RF Receiver

MODEL 38-21600

APPROVALS

United States (FCC)	OUR-XBEEPRO
Canada (IC)	4214A-XBEEPRO
Europe (CE)	ETSI

GENERAL OPERATION

Relays #1 thru #16 energize or de-energize based on specific commands from a handheld or contact input transmitter.

BUTTON OR INPUT ACTIVATED	RELAY OPERATION
"1"	Relay #1 energizes, maintained momentary
"2"	Relay #2 energizes, maintained momentary
"3"	Relay #3 energizes, maintained momentary
"4"	Relay #4 energizes, maintained momentary
"5"	Relay #5 energizes, maintained momentary
"6"	Relay #6 energizes, maintained momentary
"7"	Relay #7 energizes, maintained momentary
"8"	Relay #8 energizes, maintained momentary
"9"	Relay #9 energizes, maintained momentary
"10"	Relay #10 energizes, maintained momentary
"11"	Relay #11 energizes, maintained momentary
"12"	Relay #12 energizes, maintained momentary
"13"	Relay #13 energizes, maintained momentary
"14"	Relay #14 energizes, maintained momentary
"15"	Relay #15 energizes, maintained momentary
"16"	Relay #16 energizes, maintained momentary

SPECIFICATIONS

AC Input	120 VAC, 16 W, 50/60 Hz
Relay Contacts	SPDT 5 amp @ 120VAC or 30VDC
Fuse Protected	1 amp
Receiver Frequency	2.4 GHz Spread Spectrum
Receiver Range – Dependent upon transmitter – see below:	
Using SR Series TX	Approximately 100 feet
Using SR+ Series TX	Approximately 600 feet
Receiver Channels	Eight independent network frequencies
Operating Temperature	-40° F to +185° F
Enclosure	Hinged fiberglass with window / NEMA 4, IP66
Weight	Approx 2 lbs.

DOCUMENT DATE: 3/26/18 / PRODUCT REV.2



105 Bonnie Drive
Butler, PA 16002
(724) 283-4681
Fax (724) 283-5939
www.bwieagle.com

RELAY & FREQUENCY SET-UP

This unit is shipped from the factory with SEL1 switches #1 and #2 in the open positions. All sixteen relays will operate in a maintained momentary manner, and unit is receiving commands on frequency one. If you wish to change these default settings, follow the instructions on the table below.

- 1) Remove power from unit
- 2) Remove top cover.
- 3) Select desired relay operation and/or network frequency using table below.
- 4) Reattach cover and apply power.
- 5) Programming is now complete.

RELAY CONFIGURATION

SEL1 SWITCH NUMBER	OPEN	CLOSED
SW1	Relays #1 thru #8 maintained momentary (default)	Relays #1 thru #8 toggle/latch
SW2	Relays #9 thru #16 maintained momentary (default)	Relays #9 thru #16 toggle/latch
Maintained Momentary – Relay mimics button or input – when depressed or closed, relay will be energized; when released, relay de-energizes		
Toggle Latch – Relay changes (and holds) its state each time the corresponding button or input is depressed or closed.		
SW3	Vibrating Feedback OFF (default)	Vibrating Feedback ON
SW4	Not used on this model	

FREQUENCY SET-UP

	Network Frequency	SW5	SW6	SW7
SEL1 (SW5-7)	1 (default)	OPEN	OPEN	OPEN
	2	CLOSED	OPEN	OPEN
	3	OPEN	CLOSED	OPEN
	4	CLOSED	CLOSED	OPEN
	5	OPEN	OPEN	CLOSED
	6	CLOSED	OPEN	CLOSED
	7	OPEN	CLOSED	CLOSED
	8	CLOSED	CLOSED	CLOSED

REPLACEMENT PARTS & ACCESSORIES

PC Board (Main)	38-21602
Standard Antenna (Included):	
2.4GHz TNC Portable Antenna (For distances up to 600 feet*)	49-1201
Optional Antennas and Accessories – Used to increase range in both non line of sight and line of sight applications. - Contact BWI Eagle for recommendations	
2.4GHz Thru-Hole Mount Mobile Antenna	49-2201
2.4GHz Magnetic Mount Mobile Antenna	49-2202
2.4GHz Omni Directional Antenna	49-3201
2.4GHz 13dB Yagi Antenna	49-3202
Flex Coax Cable w/Connectors – Connects external antenna(s) to base unit(s).	49-4000-XX (XX = # of Feet)
2 Ft. Bulkhead Assembly (Used when mounting receive inside another enclosure)	49-5004-2-ISO
* = Line of Sight	