



105 Bonnie Drive
Butler, PA 16002
724-283-4681
724-283-5939 (fax)
www.bwieagle.com

PRODUCT INFORMATION BULLETIN

AIR-EAGLE® SR Plus 2.4GHz RF Transceiver MODEL 36-40800-AC

DESCRIPTION

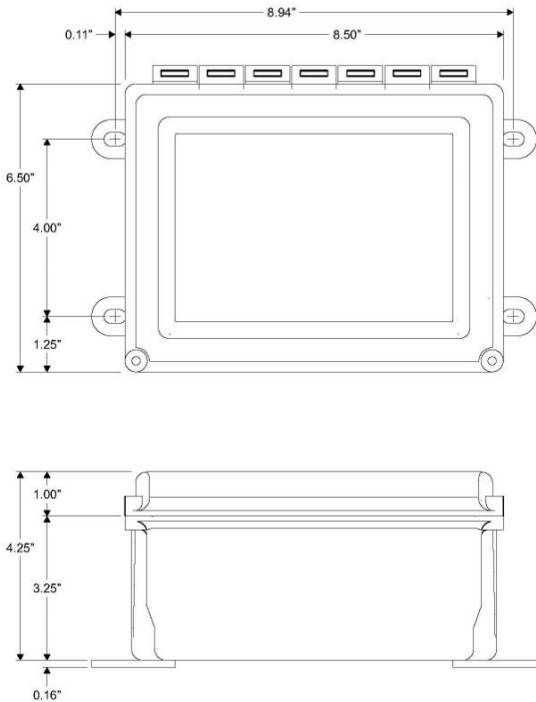
The AIR-EAGLE SR Plus is an RF system designed for medium-range wireless remote control in a variety of industrial applications. Systems can consist of any number of transmitters, transceivers and receivers and can be configured to remotely control pumps, lights, conveyors, gates and other electrical apparatus. This model comes equipped with eight dry contact inputs and eight independent SPDT control relays that can be directly interfaced with the customer's equipment or PLC. The Air-Eagle SR PLUS can receive remote signals transmitted from 600 feet away and utilizes spread-spectrum technology to provide the utmost security and reliability even in the noisiest RF environments.

INSTALLATION

DISCONNECT AC Power from all equipment before installation.

1. Mount the AIR-EAGLE SR PLUS TRANSCEIVER in a convenient location.
2. Install input and output wiring to terminal strip.
3. Install antenna onto connector located on the right side on the enclosure.
4. Connect AC power to the proper terminals in your control circuit.

DIMENSIONS



TERMINAL STRIP WIRING

RELAY OUTPUTS					
1	N/O Relay #1	10	N/O Relay #4	19	N/O Relay #7
2	C Relay #1	11	C Relay #4	20	C Relay #7
3	N/C Relay #1	12	N/C Relay #4	21	N/C Relay #7
4	N/O Relay #2	13	N/O Relay #5	22	N/O Relay #8
5	C Relay #2	14	C Relay #5	23	C Relay #8
6	N/C Relay #2	15	N/C Relay #5	24	N/C Relay #8
7	N/O Relay #3	16	N/O Relay #6		
8	C Relay #3	17	C Relay #6		
9	N/C Relay #3	18	N/C Relay #6		
CONTACT INPUTS					
1	Common Input 1	10	Input 5		
2	Input 1	11	Common Input 6		
3	Common Input 2	12	Input 6		
4	Input 2	13	Common Input 7		
5	Common Input 3	14	Input 7		
6	Input 3	15	Common Input 8		
7	Common Input 4	16	Input 8		
8	Input 4	17	Not Used		
9	Common Input 5	18	Not Used		
AC INPUT					
Terminal #1		100-250 VAC			
Terminal #2		100-250 VAC			

AIR-EAGLE® SR PLUS

2.4GHz RF Transceiver

MODEL 36-40800-AC

APPROVALS

United States (FCC)	OUR-XBEEPRO
Canada (IC)	4214A-XBEEPRO
Europe (CE)	ETSI

GENERAL OPERATION

Contact closures on inputs 1 thru 8 in the control transceiver transmit to activate relays #1 thru #8 in the remote transceiver. Inputs from the remote equipment provide closures to remote transceiver that transmit to energize relays 1 thru 8 in the control transceiver.

INPUT ACTIVATED	ACTION
"1"	Transmits channel 1 command to remote unit
"2"	Transmits channel 2 command to remote unit
"3"	Transmits channel 3 command to remote unit
"4"	Transmits channel 4 command to remote unit
"5"	Transmits channel 5 command to remote unit
"6"	Transmits channel 6 command to remote unit
"7"	Transmits channel 7 command to remote unit
"8"	Transmits channel 8 command to remote unit
INPUT CODE RECEIVED	ACTION
"1"	Relay #1 energizes, maintained momentary
"2"	Relay #2 energizes, maintained momentary
"3"	Relay #3 energizes, maintained momentary
"4"	Relay #4 energizes, maintained momentary
"5"	Relay #5 energizes, maintained momentary
"6"	Relay #6 energizes, maintained momentary
"7"	Relay #7 energizes, maintained momentary
"8"	Relay #8 energizes, maintained momentary

SPECIFICATIONS

AC Input	100-250 VAC, 5 W, 50/60 Hz
Fuse Protected	1 amp
Frequency	2.4GHz Spread Spectrum
Relay Contacts	SPDT 5 amp @ 120VAC or 30VDC per channel
Transmitter Data	Eight Dry Contact Inputs
RF Output Power	60 mW
Transceiver Range	Approximately 600 feet
RF Channels	Eight independent network frequencies
Enclosure	Hinged fiberglass with window / NEMA 3, 3R, 4, 12, 13
Operating Temp	-40° F to +185° F

RELAY & FREQUENCY SET-UP

This unit is shipped from the factory with the SEL1 switches in the open positions. All eight relays will operate in a maintained momentary manner, and unit is receiving commands on frequency one. If you wish to change these default settings, follow the instructions on the table below.

- 1) Remove power from unit
- 2) Remove top cover.
- 3) Select desired relay operation and/or network frequency using table below.
- 4) Reattach cover and apply power.
- 5) Programming is now complete.

RELAY CONFIGURATION

SEL1 SWITCH NUMBER	OPEN	CLOSED
SW1	Relays #1 thru #8 maintained momentary (default)	Relays #1 thru #8 toggle/latch

Maintained Momentary – Relay mimics button or input – when depressed or closed, relay will be energized; when released, relay de-energizes

Toggle Latch – Relay changes (and holds) its state each time the corresponding button or input is depressed or closed momentarily

SW2-4 Not used on this model

FREQUENCY SET-UP

SEL1	Network Freq#	SW5	SW6	SW7
(SW5-7)	1 (default)	OPEN	OPEN	OPEN
	2	CLOSED	OPEN	OPEN
	3	OPEN	CLOSED	OPEN
	4	CLOSED	CLOSED	OPEN
	5	OPEN	OPEN	CLOSED
	6	CLOSED	OPEN	CLOSED
	7	OPEN	CLOSED	CLOSED
	8	CLOSED	CLOSED	CLOSED

REPLACEMENT PARTS & ACCESSORIES

PC Board (Main)	36-40802
Standard Antenna (Included):	
2.4GHz TNC Portable Antenna (For distances up to 600 feet*)	49-1201
Optional Antennas and Accessories:	
2.4GHz Omni Directional Antenna	49-3201
2.4GHz 13dB Yagi Antenna	49-3202
Flex Coax Cable w/Connectors	49-4000-XX (XX = # of Feet)
* = Line of Sight	

DOCUMENT DATE: 4/17/2020 / PRODUCT REV. 3



105 Bonnie Drive
Butler, PA 16002
(724) 283-4681
Fax (724) 283-5939
www.bwieagle.com